

#	Unit Name	Width	Height	Depth	L.SCR	R.SCR
1	Tall	30	97	24	0	0
2	Oven 120	30 1/4	97	24	0	0
3	DS2	16	34 1/2	24	0	0
4	DS3	30	34 1/2	24	0	0
5	DS2	36	27	24	0	0
6	DS3	30	34 1/2	24	0	0
7	DS2	16	34 1/2	24	0	0
8	pnl	3/4	96	24	0	0

Dave Pace

Default

Room #1 (kitchen) - Wall #2

Date: 06/16/26

#	Unit Name	Width	Height	Depth	L.SCR	R.SCR
9	door	29 13/16	79 7/8	3/4	0	0
10	door	29 13/16	79 7/8	3/4	0	0
11	pnl	3/4	96	24	0	0
12	Wall	25	43	12	0	0
13	Wall	14 1/4	43	12	0	0
14	Wall	14 1/4	43	12	0	0
15	Wall	25	43	12	0	0
16	Frg	30	13	24	0	0

Dave Pace

Default

Room #1 (kitchen) - Wall #2

Date: 06/16/26

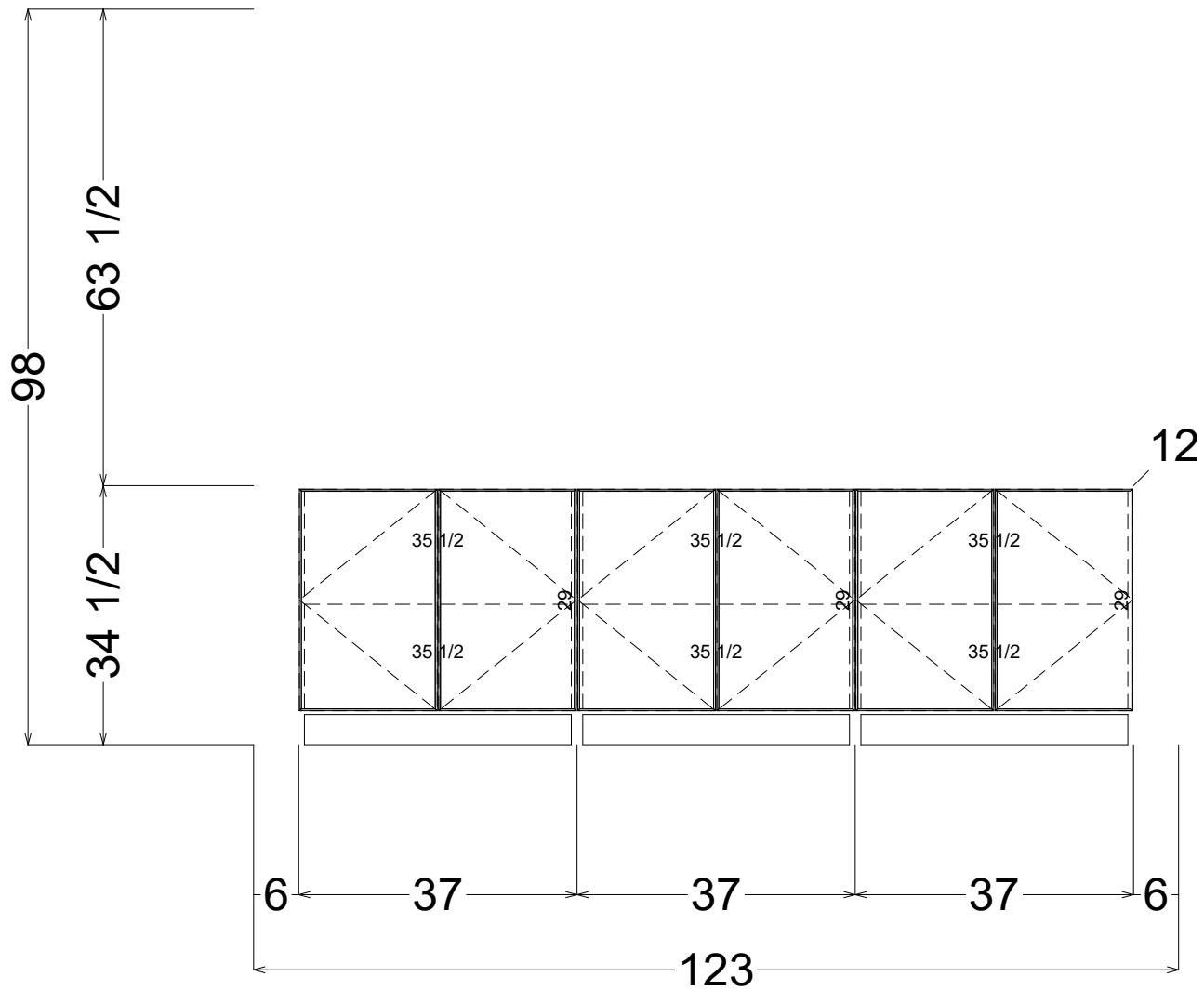
#	Unit Name	Width	Height	Depth	L.SCR	R.SCR
17	Frg	30	13	24	0	0

Dave Pace

Default

Room #1 (kitchen) - Wall #2

Date: 06/16/26



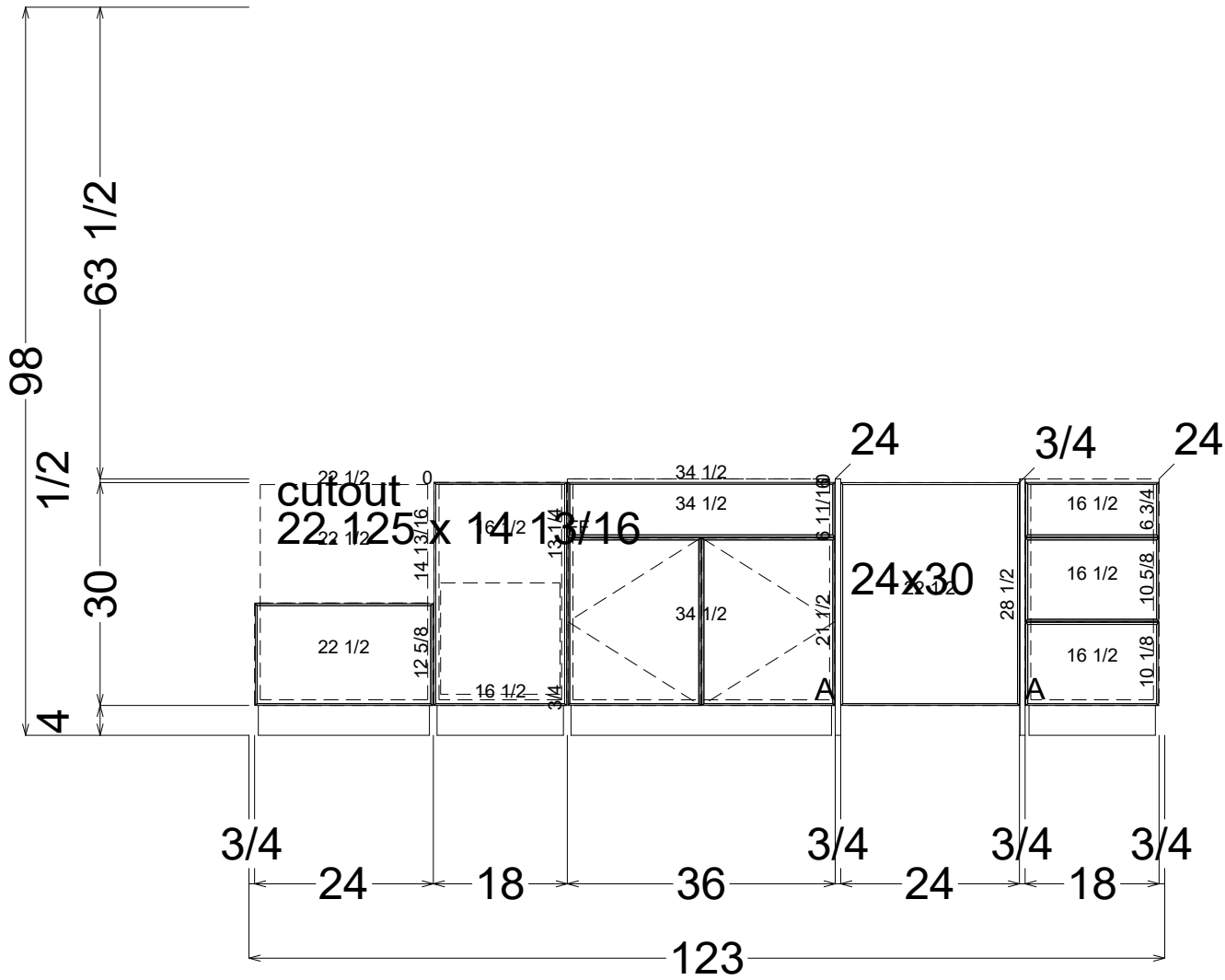
#	Unit Name	Width	Height	Depth	L.SCR	R.SCR
18	Bar Back	37	34 1/2	12	0	0
19	Bar Back	37	34 1/2	12	0	0
20	Bar Back	37	34 1/2	12	0	0

Dave Pace

Default

Room #1 (kitchen) - Wall #3

Date: 06/16/26



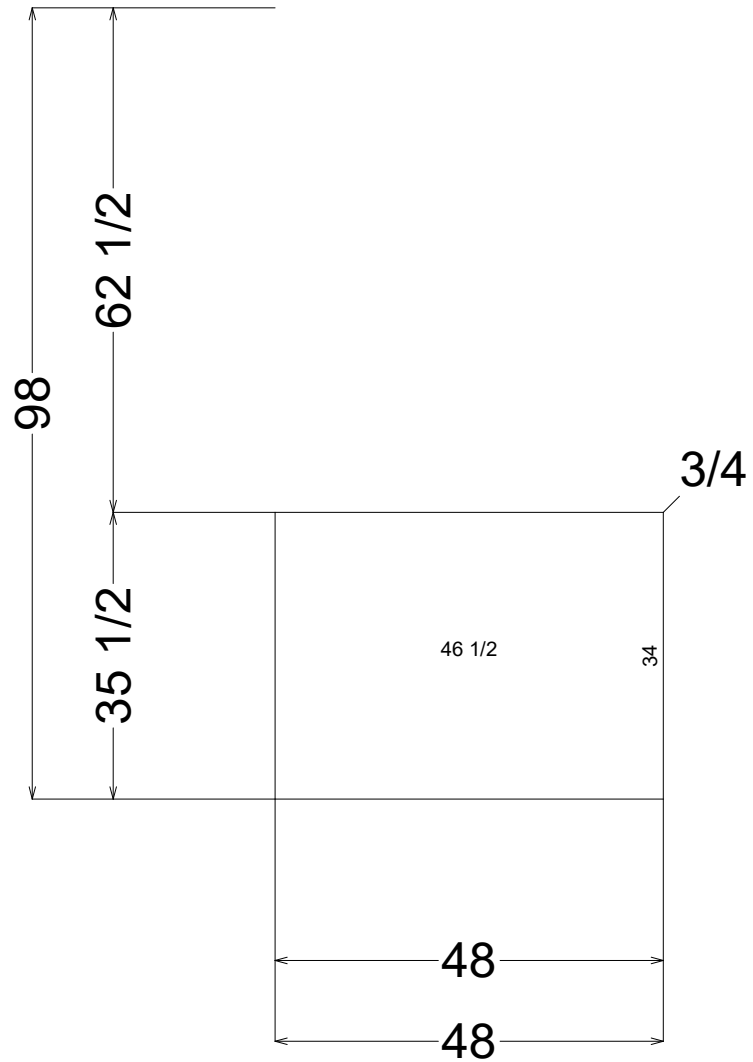
#	Unit Name	Width	Height	Depth	L.SCR	R.SCR
21	Micro	24	34 1/2	24	0	0
22	DBL Trash	18	34 1/2	24	0	0
23	Sink	36	34 1/2	24	0	0
24	DW 24x30	24	30	3/4	0	0
25	DS3	18	34 1/2	24	0	0

Dave Pace

Default

Room #1 (kitchen) - Wall #3

Date: 06/16/26



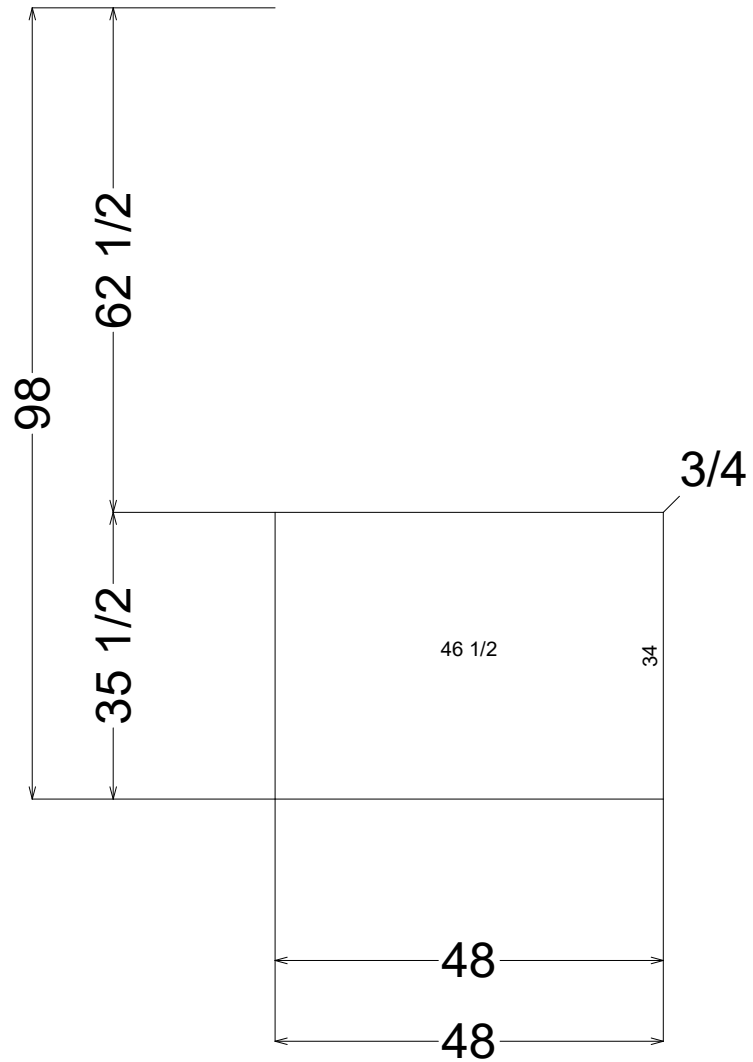
#	Unit Name	Width	Height	Depth	L.SCR	R.SCR
26	Bar Pnl	48	35 1/2	3/4	0	0

Dave Pace

Default

Room #1 (kitchen) - Wall #4

Date: 06/16/26



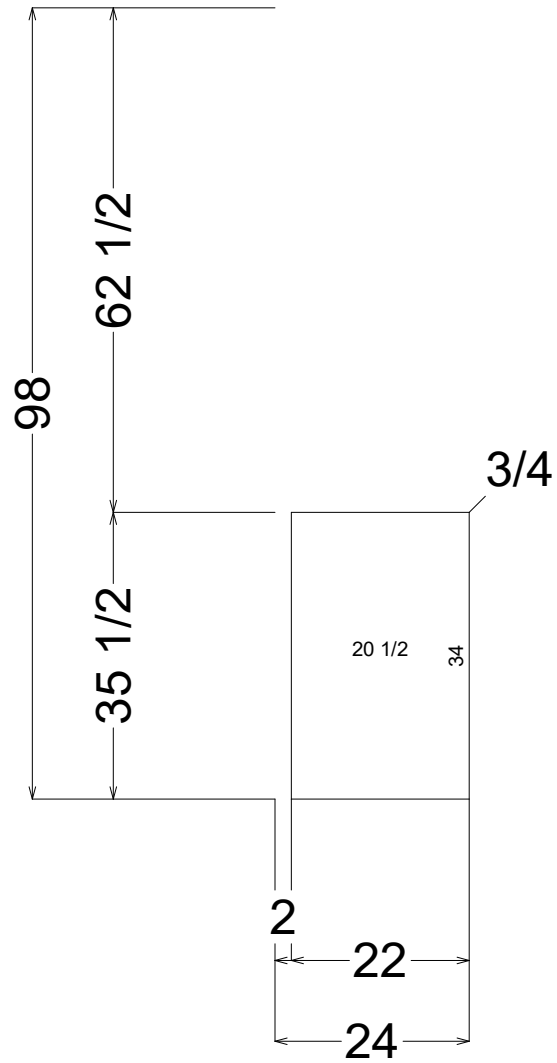
#	Unit Name	Width	Height	Depth	L.SCR	R.SCR
27	Bar Pnl	48	35 1/2	3/4	0	0

Dave Pace

Default

Room #1 (kitchen) - Wall #5

Date: 06/16/26



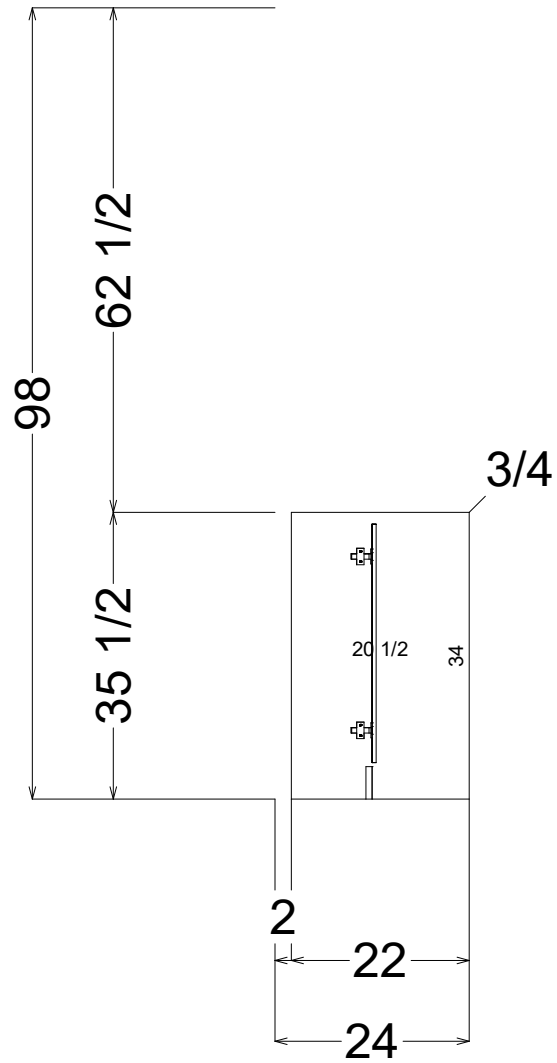
#	Unit Name	Width	Height	Depth	L.SCR	R.SCR
28		22	35 1/2	3/4	0	0

Dave Pace

Default

Room #1 (kitchen) - Wall #6

Date: 06/16/26



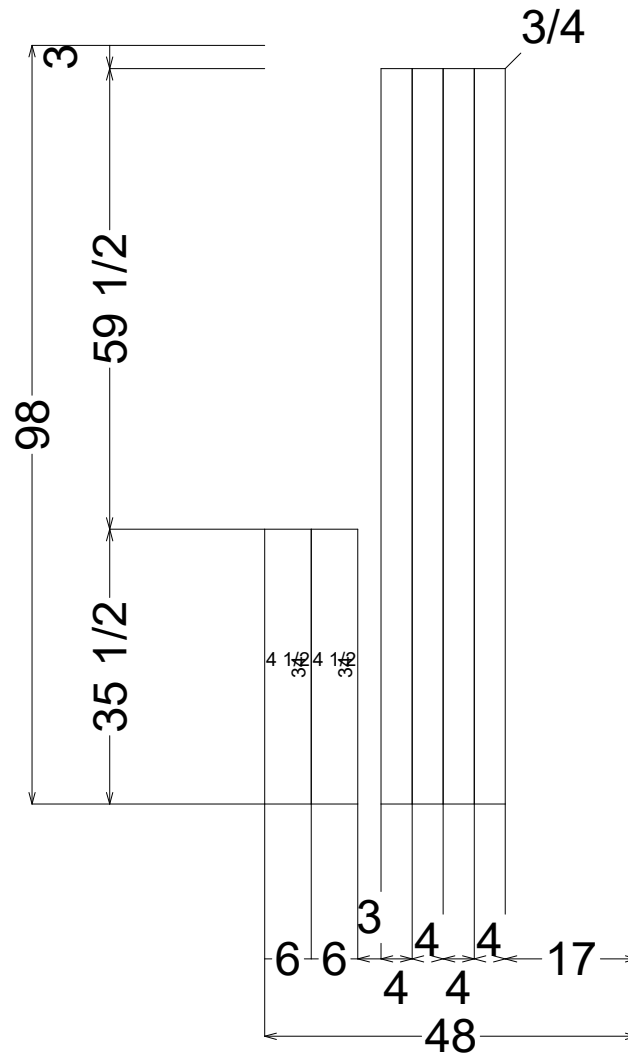
#	Unit Name	Width	Height	Depth	L.SCR	R.SCR
29	Bar Pnl	22	35 1/2	3/4	0	0

Dave Pace

Default

Room #1 (kitchen) - Wall #7

Date: 06/16/26



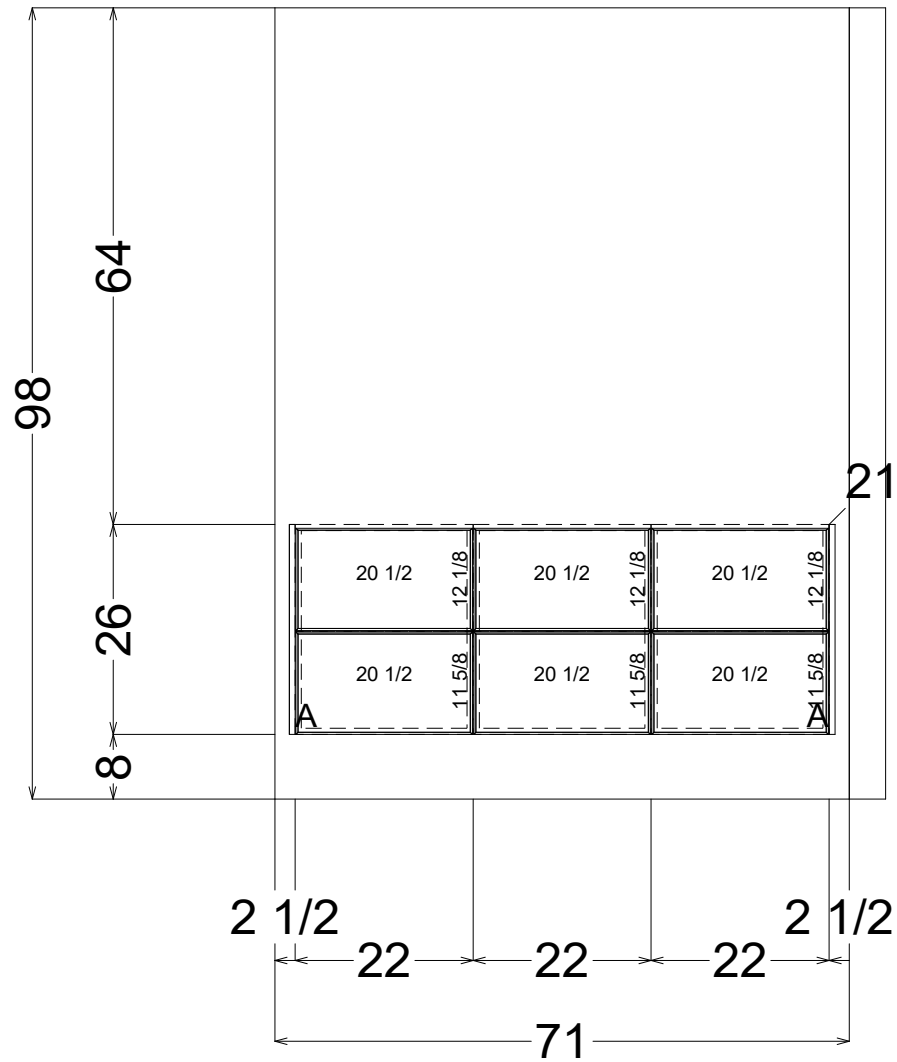
#	Unit Name	Width	Height	Depth	L.SCR	R.SCR
30	Bar Pnl	6	35 1/2	3/4	0	0
31	Bar Pnl	6	35 1/2	3/4	0	0
32	Bar Pnl	4	95	3/4	0	0
33	Bar Pnl	4	95	3/4	0	0
34	Bar Pnl	4	95	3/4	0	0
35	Bar Pnl	4	95	3/4	0	0

Dave Pace

Default

Room #1 (kitchen) - Wall #10

Date: 06/16/26



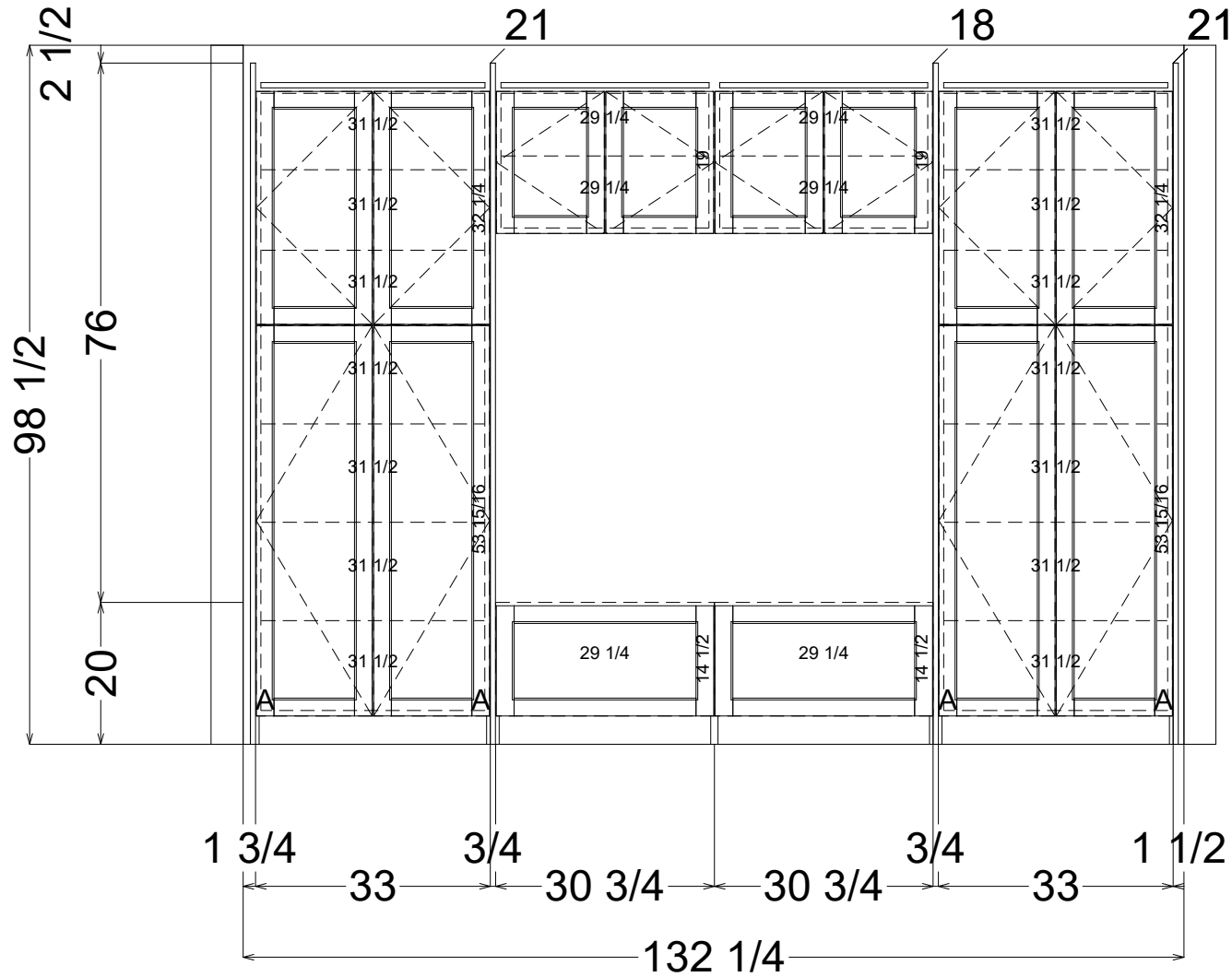
#	Unit Name	Width	Height	Depth	L.SCR	R.SCR
36	DS2	22	26	21	0	0
37	DS2	22	26	21	0	0
38	DS2	22	26	21	0	0

Dave Pace

Default

Room #2 (master) - Wall #1

Date: 06/16/26



paint 1" shaker
mdf doors

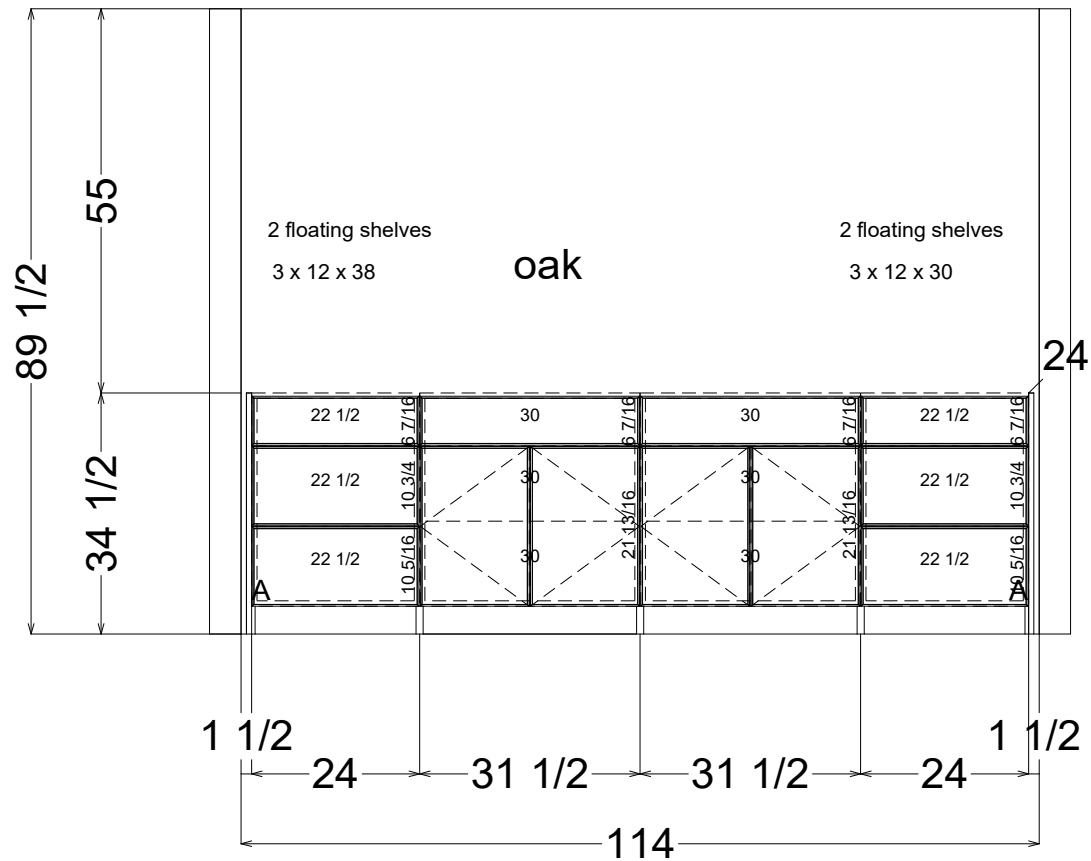
#	Unit Name	Width	Height	Depth	L.SCR	R.SCR
39	Tall 96	33	96	21	0	0
40	DS2	30 3/4	20	21	0	0
41	DS2	30 3/4	20	21	0	0
42	Tall 96	33	96	21	0	0
43	Wall	30 3/4	24	18	0	0
44	Wall	30 3/4	24	18	0	0

Dave Pace

Default

Room #3 (mudroom) - Wall #2

Date: 06/16/26



oak doors same as kitchen

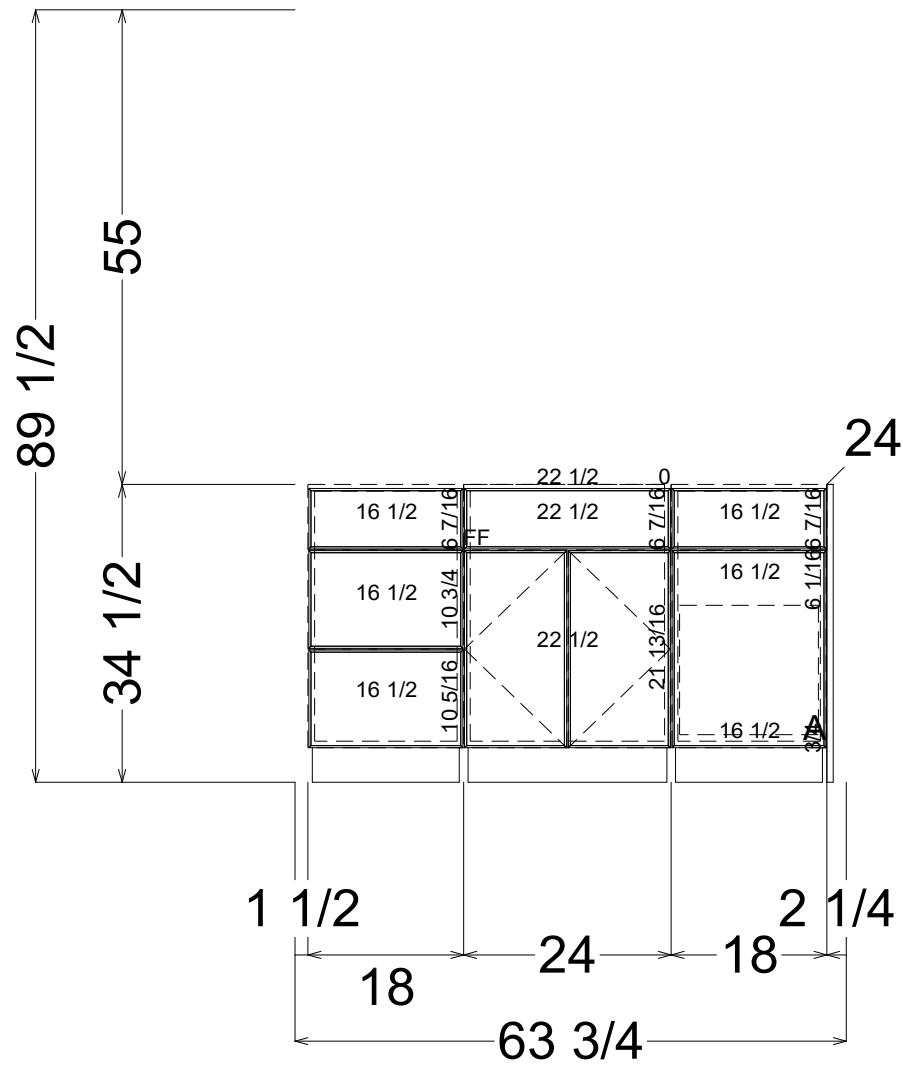
#	Unit Name	Width	Height	Depth	L.SCR	R.SCR
45	DS3	24	34 1/2	24	0	0
46	BD1	31 1/2	34 1/2	24	0	0
47	BD1	31 1/2	34 1/2	24	0	0
48	DS3	24	34 1/2	24	0	0

Dave Pace

Default

Room #4 (Basement Bar) - Wall #2

Date: 06/16/26



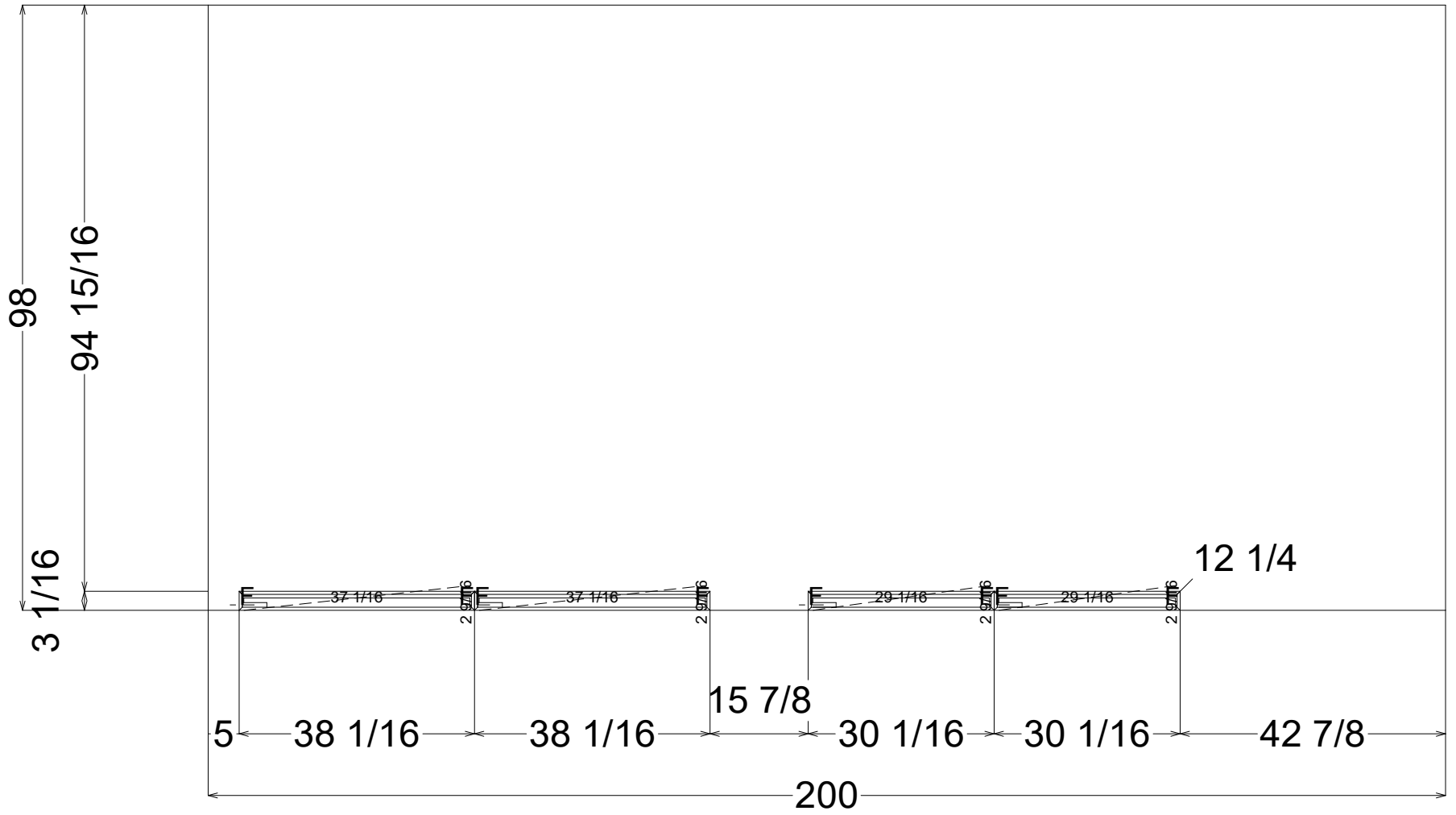
#	Unit Name	Width	Height	Depth	L.SCR	R.SCR
49	DS3	18	34 1/2	24	0	0
50	Sink	24	34 1/2	24	0	0
51	BD Single Trash	18	34 1/2	24	0	0

Dave Pace

Default

Room #4 (Basement Bar) - Wall #4

Date: 06/16/26



#	Unit Name	Width	Height	Depth	L.SCR	R.SCR
56	FS 1/2 oak	38 1/16	3 1/16	12 1/4	0	0
57	FS 1/2 oak	38 1/16	3 1/16	12 1/4	0	0
58	FS 1/2 oak	30 1/16	3 1/16	12 1/4	0	0
59	FS 1/2 oak	30 1/16	3 1/16	12 1/4	0	0

Dave Pace

Default

Room #6 (floating shelves) - Wall #1

Date: 06/16/26