

Assembly #1 - Tall

30 x 97 x 24 (1)

Doors

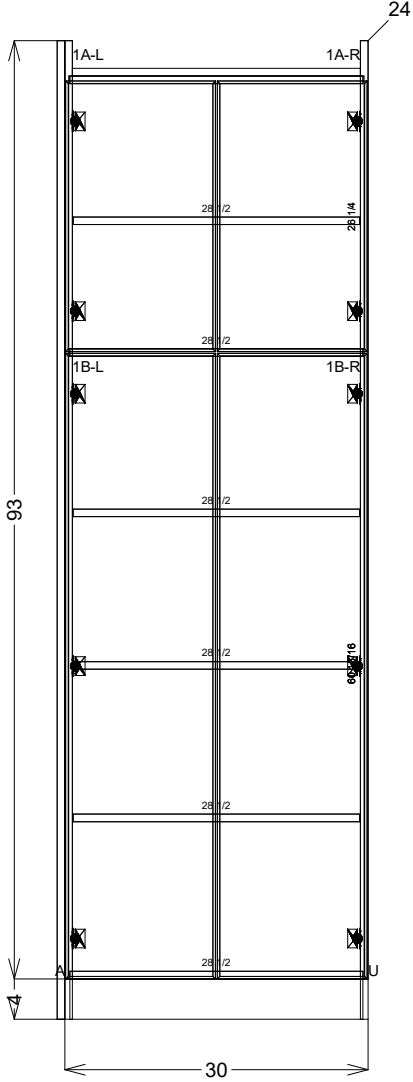
2	14 13/16	26 13/16	Slab	walnut 1/2"
2	14 13/16	62	Slab	walnut 1/2"

Panel Stock

1	24	97	Left Sub End	3/4 2s Melamine 4x10
1	5 7/8	97	Finished Left End	3/4 MDF 4x10
1	24	97	Unfinished Right End	3/4 2s Melamine 4x10
1	29 1/4	89 1/2	Unfinished Back	1/2 2s Melamine
1	23 1/2	29	Top	3/4 2s Melamine
1	23 1/2	29	Deck	3/4 2s Melamine
1	4	29	Front Toe	3/4 2s Melamine
1	4	28 1/2	upper stretcher	3/4 2s Melamine
1	23 1/2	29	Fixed Shelf	3/4 2s Melamine
4	23 3/8	28 3/8	Adjustable Shelf	3/4 2s Melamine ADJ

Hardware

10	1 7/16	1 7/8	Hinge	RC 120 Euro
10	2 1/8	2 1/16	Hinge Plate	Hinge Plate



Assembly #1 - Tall

Scott BD

L. Stile = 0	L. Scribe = 0	R. Stile = 0	R. Scribe = 0
T. Scribe = 3 1/2	B. Scribe = 0		
Toe Height = 4	Toe Recess = 3		
Left End = Applied FE	Right End = Unfinished	Back = Unfinished	

Dave Pace

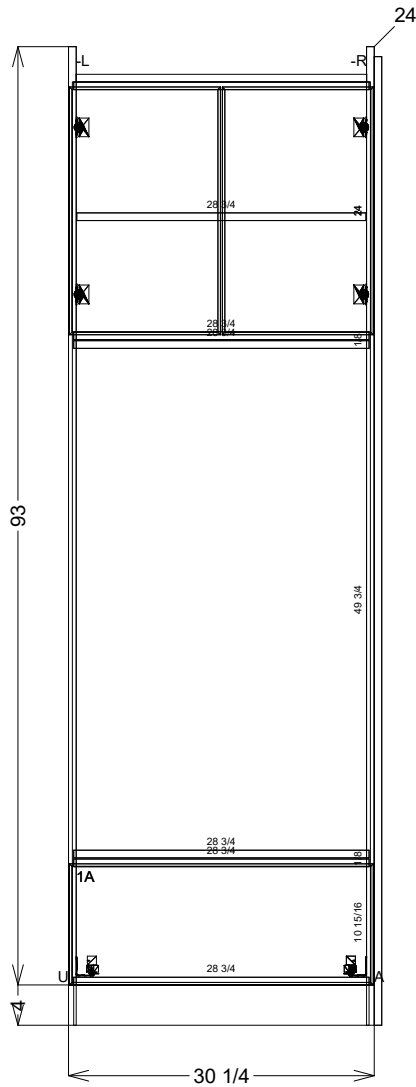
Default

Room #1 (kitchen) - Wall #2

Date: 06/17/26

Assembly #2 - Oven 120
 30 1/4 x 97 x 24 (1)

Doors				
2	14 15/16	24 9/16	Slab	walnut 1/2"
Drawer Fronts				
1	30 1/16	12	Slab	walnut 1/2"
Panel Stock				
1	24	97	Unfinished Left End	3/4 2s Melamine 4x10
1	24	97	Right Sub End	3/4 2s Melamine 4x10
1	24 7/8	96	Finished Right End	3/4 2s Walnut Ply
1	29 1/2	89 1/2	Unfinished Back	1/2 2s Melamine
1	23 1/2	29 1/4	Top	3/4 2s Melamine
1	23 1/2	29 1/4	Deck	3/4 2s Melamine
1	4	29 1/4	Front Toe	3/4 2s Melamine
1	4	28 3/4	upper stretcher	3/4 2s Melamine
2	4	29 1/4	Drawer Stretcher	3/4 2s Melamine
2	23 1/2	29 1/4	Fixed Shelf	3/4 2s Melamine
1	23 3/8	28 5/8	Adjustable Shelf	3/4 2s Melamine ADJ
1	27 3/8	20 5/16	Drawer Box Bottom	1/2 2s Melamine
2	9 3/4	21	Drawer Box Side	5/8 Baltic Birch
1	9 3/4	28 5/16	Drawer Box Back	5/8 Baltic Birch
1	9 3/4	28 5/16	Drawer Box Sub Front	5/8 Baltic Birch
Hardware				
1 P	1	21 1/2	Drawer Guide	RC 21
4	1 7/16	1 7/8	Hinge	RC 120 Euro
4	2 1/8	2 1/16	Hinge Plate	Hinge Plate



Assembly #2 - Oven 120

Scott BD

L. Stile = 0	L. Scribe = 0	R. Stile = 0	R. Scribe = 0
T. Scribe = 3 1/2	B. Scribe = 0		
Toe Height = 4	Toe Recess = 3		
Left End = Unfinished	Right End = Applied FE	Back = Unfinished	

Dave Pace

Default

Room #1 (kitchen) - Wall #2

Date: 06/17/26

Drawer Fronts

2	15 13/16	14 15/16	Slab	walnut 1/2"
---	----------	----------	------	-------------

Panel Stock

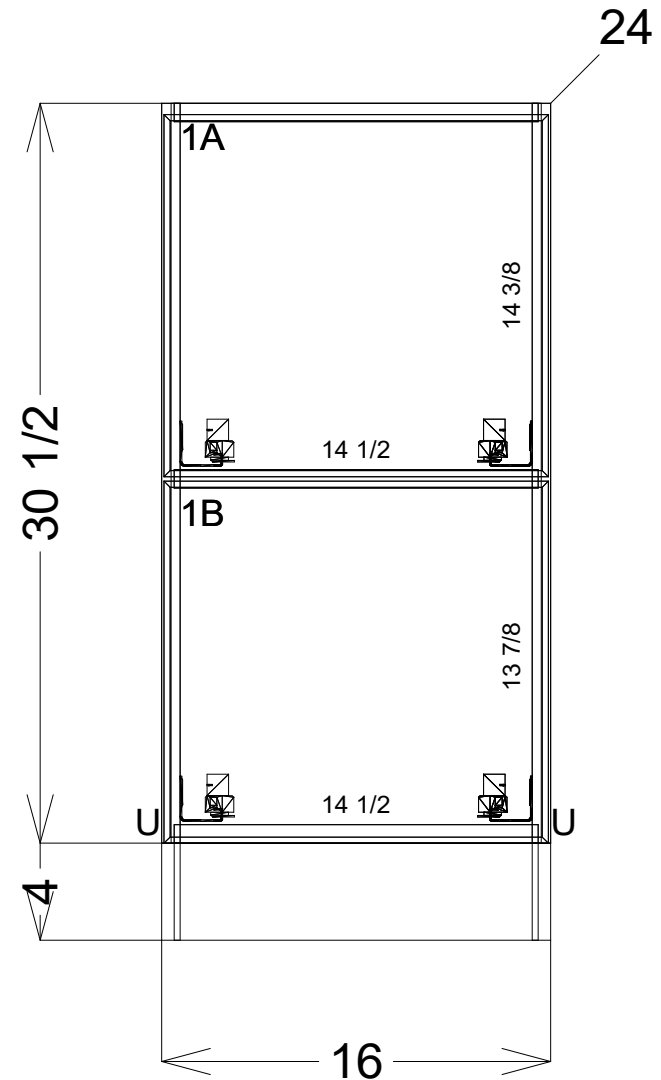
1	24	34 1/2	Unfinished Left End	3/4 2s Melamine
1	24	34 1/2	Unfinished Right End	3/4 2s Melamine
1	15 1/4	30 1/2	Unfinished Back	1/2 2s Melamine
1	23 1/2	15	Top	3/4 2s Melamine
1	23 1/2	15	Deck	3/4 2s Melamine
1	4	15	Front Toe	3/4 2s Melamine
1	4	15	Drawer Stretcher	3/4 2s Melamine
2	13 1/8	20 5/16	Drawer Box Bottom	1/2 2s Melamine
2	13 3/16	21	Drawer Box Side	5/8 Baltic Birch
1	13 3/16	14 1/16	Drawer Box Back	5/8 Baltic Birch
1	13 3/16	14 1/16	Drawer Box Sub Front	5/8 Baltic Birch
2	12 11/16	21	Drawer Box Side	5/8 Baltic Birch
1	12 11/16	14 1/16	Drawer Box Back	5/8 Baltic Birch
1	12 11/16	14 1/16	Drawer Box Sub Front	5/8 Baltic Birch

Hardware

2 P	1	21 1/2	Drawer Guide	RC 21
-----	---	--------	--------------	-------

Assembly #3 - DS2

16 x 34 1/2 x 24 (1)



Assembly #3 - DS2

Scott BD

L. Stile = 0	L. Scribe = 0	R. Stile = 0	R. Scribe = 0
T. Scribe = 0	B. Scribe = 0		
Toe Height = 4	Toe Recess = 3		
Left End = Unfinished	Right End = Unfinished	Back = Unfinished	

Dave Pace

Default

Room #1 (kitchen) - Wall #2

Date: 06/17/26

Assembly #4 - DS3

30 x 34 1/2 x 24 (1)

Drawer Fronts

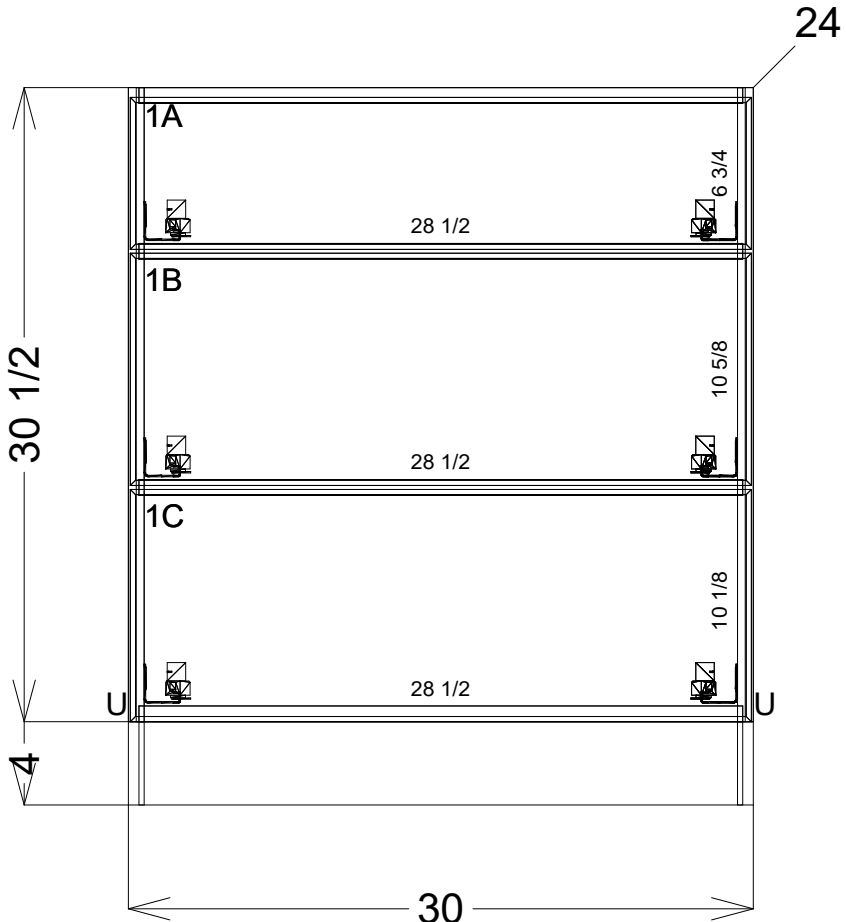
1	29 13/16	7 5/16	Slab	walnut 1/2"
2	29 13/16	11 3/16	Slab	walnut 1/2"

Panel Stock

1	24	34 1/2	Unfinished Left End	3/4 2s Melamine
1	24	34 1/2	Unfinished Right End	3/4 2s Melamine
1	29 1/4	30 1/2	Unfinished Back	1/2 2s Melamine
1	23 1/2	29	Top	3/4 2s Melamine
1	23 1/2	29	Deck	3/4 2s Melamine
1	4	29	Front Toe	3/4 2s Melamine
2	4	29	Drawer Stretcher	3/4 2s Melamine
3	27 1/8	20 5/16	Drawer Box Bottom	1/2 2s Melamine
2	5 9/16	21	Drawer Box Side	5/8 Baltic Birch
1	5 9/16	28 1/16	Drawer Box Back	5/8 Baltic Birch
1	5 9/16	28 1/16	Drawer Box Sub Front	5/8 Baltic Birch
2	9 7/16	21	Drawer Box Side	5/8 Baltic Birch
1	9 7/16	28 1/16	Drawer Box Back	5/8 Baltic Birch
1	9 7/16	28 1/16	Drawer Box Sub Front	5/8 Baltic Birch
2	8 15/16	21	Drawer Box Side	5/8 Baltic Birch
1	8 15/16	28 1/16	Drawer Box Back	5/8 Baltic Birch
1	8 15/16	28 1/16	Drawer Box Sub Front	5/8 Baltic Birch

Hardware

3 P	1	21 1/2	Drawer Guide	RC 21
-----	---	--------	--------------	-------



Assembly #4 - DS3

Scott BD

L. Stile = 0	L. Scribe = 0	R. Stile = 0	R. Scribe = 0
T. Scribe = 0	B. Scribe = 0		
Toe Height = 4	Toe Recess = 3		
Left End = Unfinished	Right End = Unfinished	Back = Unfinished	

Dave Pace

Default

Room #1 (kitchen) - Wall #2

Date: 06/17/26

Drawer Fronts

2 35 13/16 11 3/16 Slab walnut 1/2"

Panel Stock

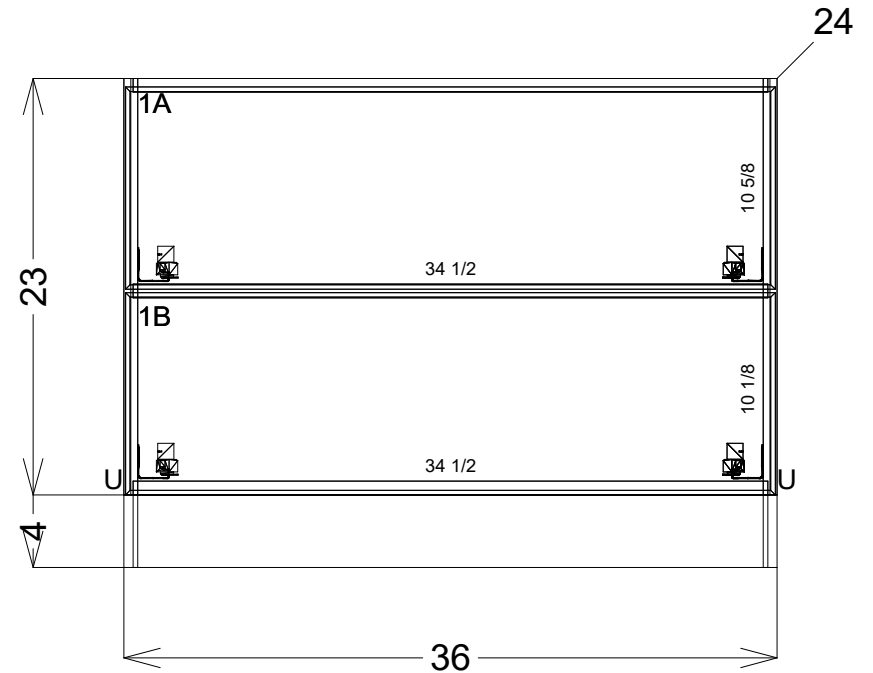
1	24	27	Unfinished Left End	3/4 2s Melamine
1	24	27	Unfinished Right End	3/4 2s Melamine
1	35 1/4	23	Unfinished Back	1/2 2s Melamine
1	23 1/2	35	Top	3/4 2s Melamine
1	23 1/2	35	Deck	3/4 2s Melamine
1	4	35	Front Toe	3/4 2s Melamine
1	4	35	Drawer Stretcher	3/4 2s Melamine
2	33 1/8	20 5/16	Drawer Box Bottom	1/2 2s Melamine
2	9 7/16	21	Drawer Box Side	5/8 Baltic Birch
1	9 7/16	34 1/16	Drawer Box Back	5/8 Baltic Birch
1	9 7/16	34 1/16	Drawer Box Sub Front	5/8 Baltic Birch
2	8 15/16	21	Drawer Box Side	5/8 Baltic Birch
1	8 15/16	34 1/16	Drawer Box Back	5/8 Baltic Birch
1	8 15/16	34 1/16	Drawer Box Sub Front	5/8 Baltic Birch

Hardware

2 P 1 21 1/2 Drawer Guide RC 21

Assembly #5 - DS2

36 x 27 x 24 (1)



Assembly #5 - DS2

Scott BD

L. Stile = 0 L. Scribe = 0 R. Stile = 0 R. Scribe = 0
 T. Scribe = 0 B. Scribe = 0
 Toe Height = 4 Toe Recess = 3
 Left End = Unfinished Right End = Unfinished Back = Unfinished

Dave Pace

Default

Room #1 (kitchen) - Wall #2

Date: 06/17/26

Assembly #6 - DS3
 30 x 34 1/2 x 24 (1)

Drawer Fronts

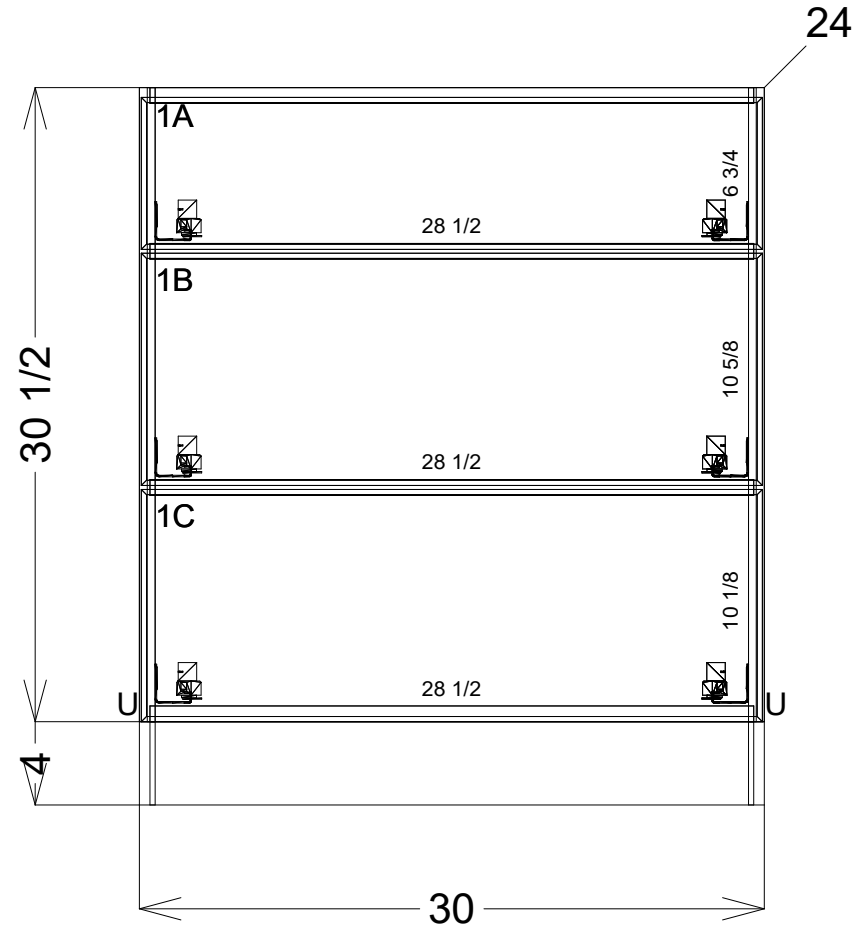
1	29 13/16	7 5/16	Slab	walnut 1/2"
2	29 13/16	11 3/16	Slab	walnut 1/2"

Panel Stock

1	24	34 1/2	Unfinished Left End	3/4 2s Melamine
1	24	34 1/2	Unfinished Right End	3/4 2s Melamine
1	29 1/4	30 1/2	Unfinished Back	1/2 2s Melamine
1	23 1/2	29	Top	3/4 2s Melamine
1	23 1/2	29	Deck	3/4 2s Melamine
1	4	29	Front Toe	3/4 2s Melamine
2	4	29	Drawer Stretcher	3/4 2s Melamine
3	27 1/8	20 5/16	Drawer Box Bottom	1/2 2s Melamine
2	5 9/16	21	Drawer Box Side	5/8 Baltic Birch
1	5 9/16	28 1/16	Drawer Box Back	5/8 Baltic Birch
1	5 9/16	28 1/16	Drawer Box Sub Front	5/8 Baltic Birch
2	9 7/16	21	Drawer Box Side	5/8 Baltic Birch
1	9 7/16	28 1/16	Drawer Box Back	5/8 Baltic Birch
1	9 7/16	28 1/16	Drawer Box Sub Front	5/8 Baltic Birch
2	8 15/16	21	Drawer Box Side	5/8 Baltic Birch
1	8 15/16	28 1/16	Drawer Box Back	5/8 Baltic Birch
1	8 15/16	28 1/16	Drawer Box Sub Front	5/8 Baltic Birch

Hardware

3 P	1	21 1/2	Drawer Guide	RC 21
-----	---	--------	--------------	-------



Assembly #6 - DS3

Scott BD

L. Stile = 0	L. Scribe = 0	R. Stile = 0	R. Scribe = 0
T. Scribe = 0	B. Scribe = 0		
Toe Height = 4	Toe Recess = 3		
Left End = Unfinished	Right End = Unfinished	Back = Unfinished	

Dave Pace

Default

Room #1 (kitchen) - Wall #2

Date: 06/17/26

Drawer Fronts

2	15 13/16	14 15/16	Slab	walnut 1/2"
---	----------	----------	------	-------------

Panel Stock

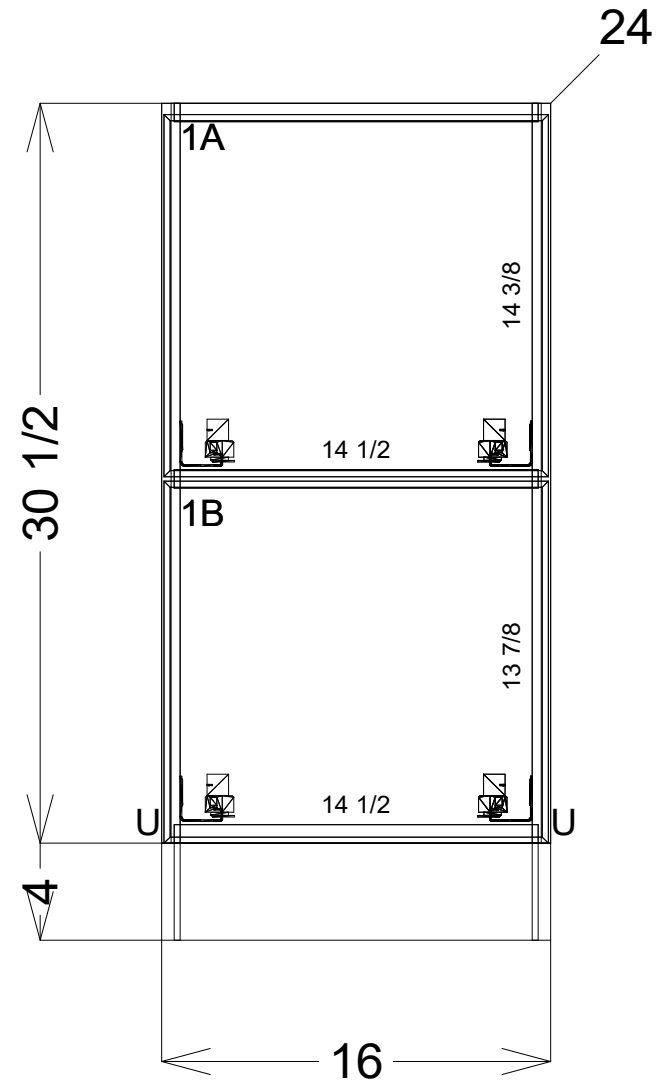
1	24	34 1/2	Unfinished Left End	3/4 2s Melamine
1	24	34 1/2	Unfinished Right End	3/4 2s Melamine
1	15 1/4	30 1/2	Unfinished Back	1/2 2s Melamine
1	23 1/2	15	Top	3/4 2s Melamine
1	23 1/2	15	Deck	3/4 2s Melamine
1	4	15	Front Toe	3/4 2s Melamine
1	4	15	Drawer Stretcher	3/4 2s Melamine
2	13 1/8	20 5/16	Drawer Box Bottom	1/2 2s Melamine
2	13 3/16	21	Drawer Box Side	5/8 Baltic Birch
1	13 3/16	14 1/16	Drawer Box Back	5/8 Baltic Birch
1	13 3/16	14 1/16	Drawer Box Sub Front	5/8 Baltic Birch
2	12 11/16	21	Drawer Box Side	5/8 Baltic Birch
1	12 11/16	14 1/16	Drawer Box Back	5/8 Baltic Birch
1	12 11/16	14 1/16	Drawer Box Sub Front	5/8 Baltic Birch

Hardware

2 P	1	21 1/2	Drawer Guide	RC 21
-----	---	--------	--------------	-------

Assembly #7 - DS2

16 x 34 1/2 x 24 (1)



Assembly #7 - DS2

Scott BD

L. Stile = 0	L. Scribe = 0	R. Stile = 0	R. Scribe = 0
T. Scribe = 0	B. Scribe = 0		
Toe Height = 4	Toe Recess = 3		
Left End = Unfinished	Right End = Unfinished	Back = Unfinished	

Dave Pace

Default

Room #1 (kitchen) - Wall #2

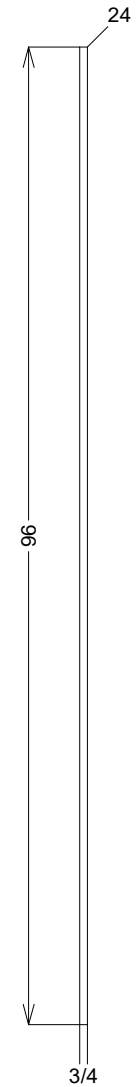
Date: 06/17/26

Panel Stock

1 24 7/8 96 Panel 3/4 2s Walnut Ply

Assembly #8 - pnl

3/4 x 96 x 24 (1)



Assembly #8 - pnl

Scott BD

L. Stile = 0 L. Scribe = 0 R. Stile = 0 R. Scribe = 0
 T. Scribe = 1 1/2 B. Scribe = 0
 Toe Height = 0 Toe Recess = 0
 Left End = Unfinished Right End = Unfinished Back = Unfinished

Dave Pace

Default

Room #1 (kitchen) - Wall #2

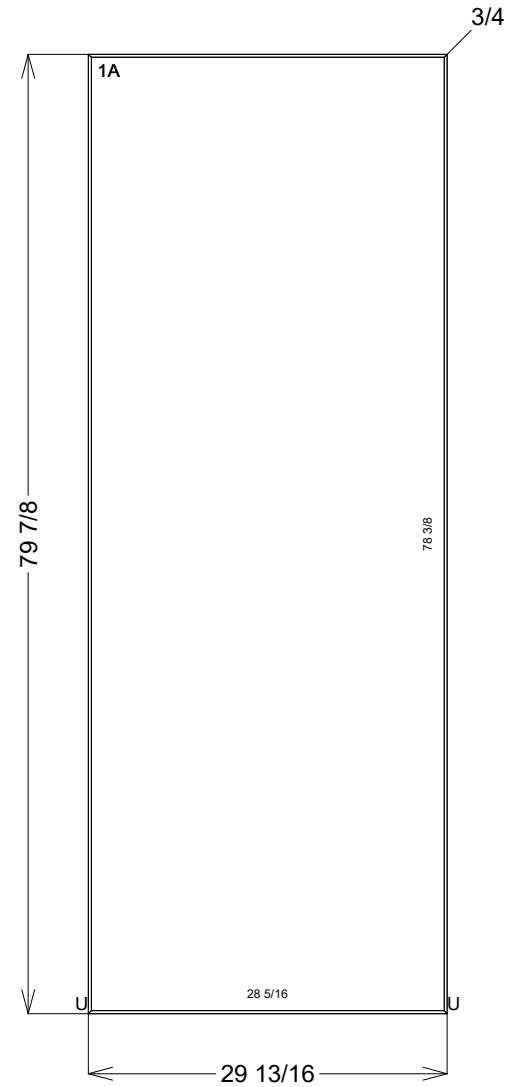
Date: 06/17/26

Doors

1 29 13/16 79 7/8 Slab walnut 1/2"

Assembly #9 - door

29 13/16 x 79 7/8 x 3/4 (1)



Assembly #9 - door

Scott BD

L. Stile = 0 L. Scribe = 0 R. Stile = 0 R. Scribe = 0
 T. Scribe = 0 B. Scribe = 0
 Toe Height = 0 Toe Recess = 0
 Left End = Unfinished Right End = Unfinished Back = Unfinished

Dave Pace

Default

Room #1 (kitchen) - Wall #2

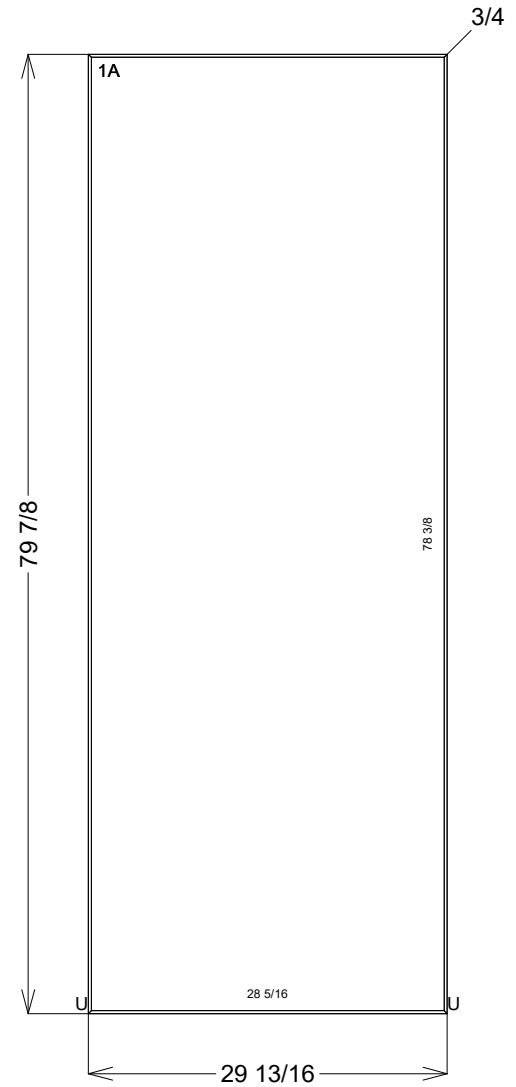
Date: 06/17/26

Doors

1 29 13/16 79 7/8 Slab walnut 1/2"

Assembly #10 - door

29 13/16 x 79 7/8 x 3/4 (1)



Assembly #10 - door

Scott BD

L. Stile = 0 L. Scribe = 0 R. Stile = 0 R. Scribe = 0
T. Scribe = 0 B. Scribe = 0
Toe Height = 0 Toe Recess = 0
Left End = Unfinished Right End = Unfinished Back = Unfinished

Dave Pace

Default

Room #1 (kitchen) - Wall #2

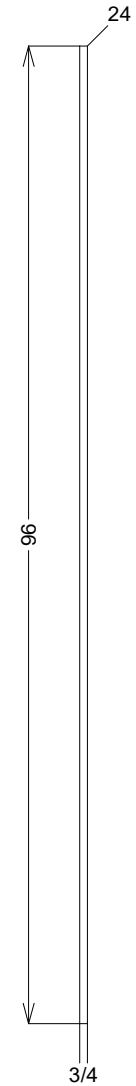
Date: 06/17/26

Panel Stock

1 24 7/8 96 Panel 3/4 2s Walnut Ply

Assembly #11 - pnl

3/4 x 96 x 24 (1)



Assembly #11 - pnl

Scott BD

L. Stile = 0 L. Scribe = 0 R. Stile = 0 R. Scribe = 0
 T. Scribe = 1 1/2 B. Scribe = 0
 Toe Height = 0 Toe Recess = 0
 Left End = Unfinished Right End = Unfinished Back = Unfinished

Dave Pace

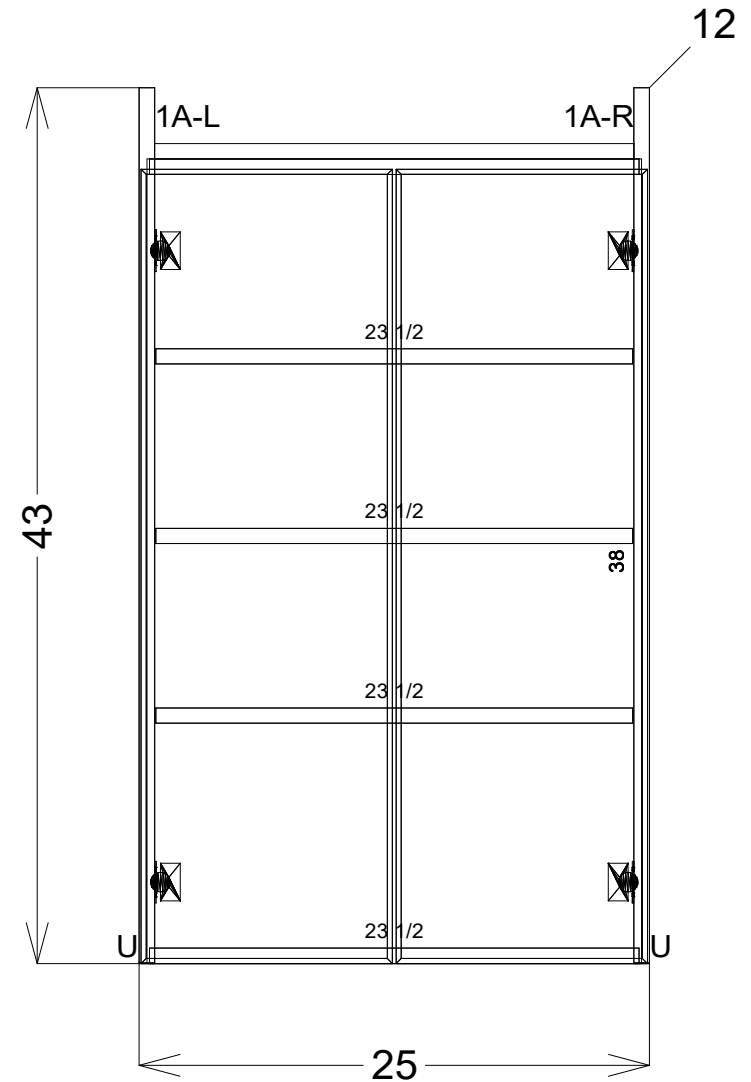
Default

Room #1 (kitchen) - Wall #2

Date: 06/17/26

Doors				
2	12 5/16	39	Slab	walnut 1/2"
Panel Stock				
1	12	43	Unfinished Left End	3/4 2s Melamine
1	12	43	Unfinished Right End	3/4 2s Melamine
1	24 1/4	39 1/2	Unfinished Back	1/2 2s Melamine
1	11 1/2	24	Top	3/4 2s Melamine
1	11 1/2	24	Bottom	3/4 2s Melamine
1	4	23 1/2	upper stretcher	3/4 2s Melamine
3	11 3/8	23 3/8	Adjustable Shelf	3/4 2s Melamine ADJ
Hardware				
4	1 7/16	1 7/8	Hinge	RC 120 Euro
4	2 1/8	2 1/16	Hinge Plate	Hinge Plate

Assembly #12 - Wall
25 x 43 x 12 (1)



Assembly #12 - Wall

Scott BD

L. Stile = 0	L. Scribe = 0	R. Stile = 0	R. Scribe = 0
T. Scribe = 3 1/2	B. Scribe = 0		
Toe Height = 0	Toe Recess = 3		
Left End = Unfinished	Right End = Unfinished	Back = Unfinished	

Dave Pace

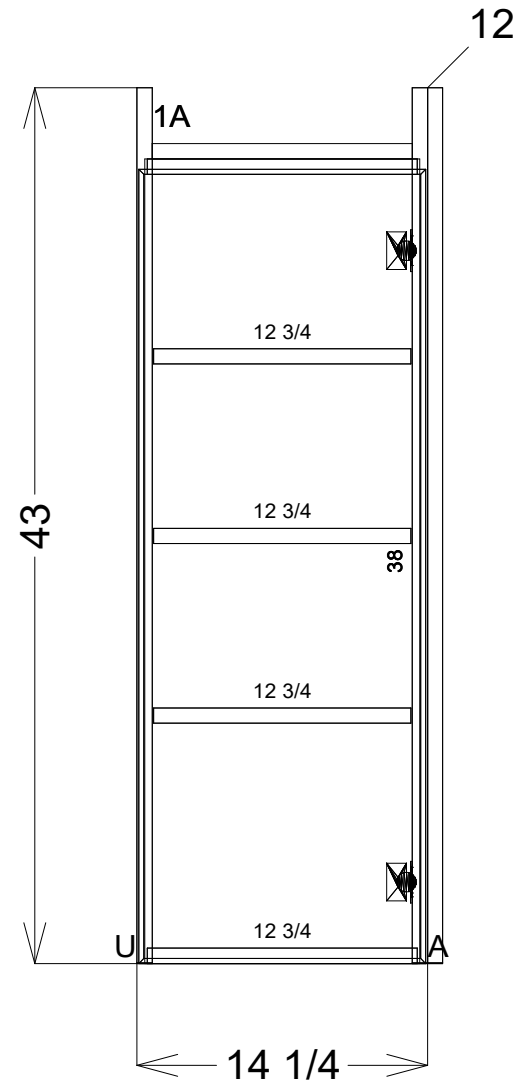
Default

Room #1 (kitchen) - Wall #2

Date: 06/17/26

Doors				
1	14 1/16	39	Slab	walnut 1/2"
Panel Stock				
1	12	43	Unfinished Left End	3/4 2s Melamine
1	12	43	Right Sub End	3/4 2s Melamine
1	12 7/8	43	Finished Right End	3/4 2s Walnut Ply
1	13 1/2	39 1/2	Unfinished Back	1/2 2s Melamine
1	11 1/2	13 1/4	Top	3/4 2s Melamine
1	11 1/2	13 1/4	Bottom	3/4 2s Melamine
1	4	12 3/4	upper stretcher	3/4 2s Melamine
3	11 3/8	12 5/8	Adjustable Shelf	3/4 2s Melamine ADJ
Hardware				
2	1 7/16	1 7/8	Hinge	RC 120 Euro
2	2 1/8	2 1/16	Hinge Plate	Hinge Plate

Assembly #13 - Wall
14 1/4 x 43 x 12 (1)



Assembly #13 - Wall

Scott BD

L. Stile = 0	L. Scribe = 0	R. Stile = 0	R. Scribe = 0
T. Scribe = 3 1/2	B. Scribe = 0		
Toe Height = 0	Toe Recess = 3		
Left End = Unfinished	Right End = Applied FE	Back = Unfinished	

Dave Pace

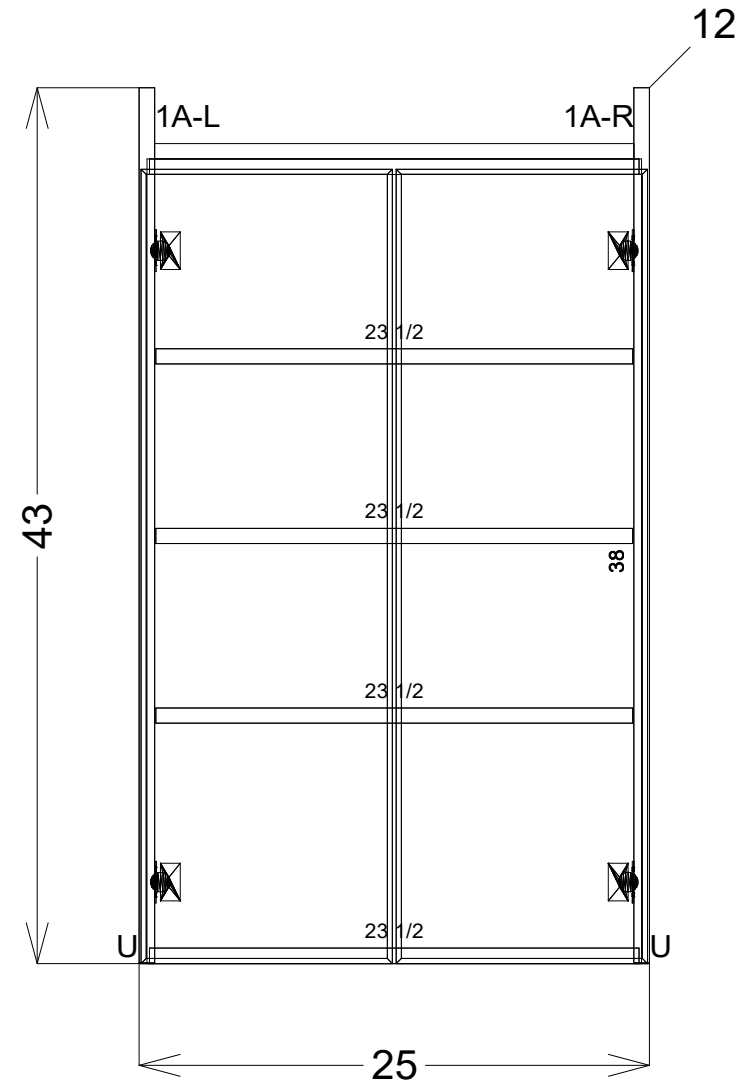
Default

Room #1 (kitchen) - Wall #2

Date: 06/17/26

Doors				
2	12 5/16	39	Slab	walnut 1/2"
Panel Stock				
1	12	43	Unfinished Left End	3/4 2s Melamine
1	12	43	Unfinished Right End	3/4 2s Melamine
1	24 1/4	39 1/2	Unfinished Back	1/2 2s Melamine
1	11 1/2	24	Top	3/4 2s Melamine
1	11 1/2	24	Bottom	3/4 2s Melamine
1	4	23 1/2	upper stretcher	3/4 2s Melamine
3	11 3/8	23 3/8	Adjustable Shelf	3/4 2s Melamine ADJ
Hardware				
4	1 7/16	1 7/8	Hinge	RC 120 Euro
4	2 1/8	2 1/16	Hinge Plate	Hinge Plate

Assembly #15 - Wall
25 x 43 x 12 (1)



Assembly #15 - Wall

Scott BD

L. Stile = 0	L. Scribe = 0	R. Stile = 0	R. Scribe = 0
T. Scribe = 3 1/2	B. Scribe = 0		
Toe Height = 0	Toe Recess = 3		
Left End = Unfinished	Right End = Unfinished	Back = Unfinished	

Dave Pace

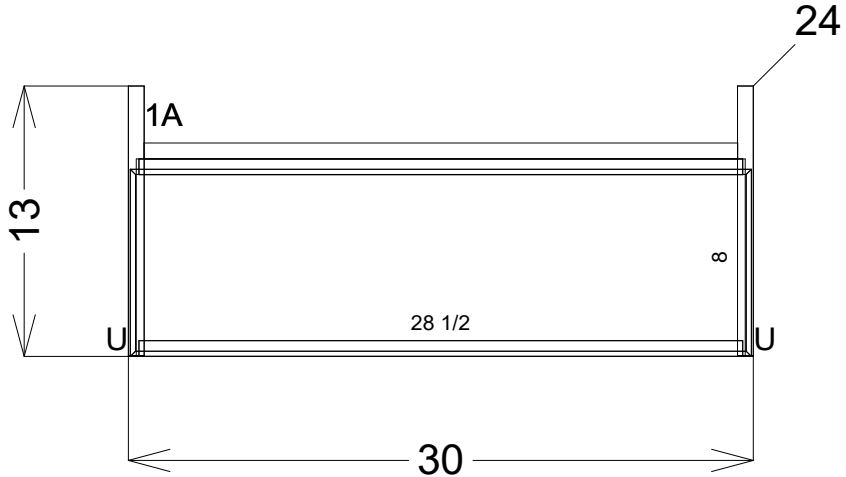
Default

Room #1 (kitchen) - Wall #2

Date: 06/17/26

Assembly #16 - Frg
 30 x 13 x 24 (1)

Doors				
1	29 13/16	9	Slab	walnut 1/2"
Panel Stock				
1	24	13	Unfinished Left End	3/4 2s Melamine
1	24	13	Unfinished Right End	3/4 2s Melamine
1	29 1/4	9 1/2	Unfinished Back	1/2 2s Melamine
1	23 1/2	29	Top	3/4 2s Melamine
1	23 1/2	29	Bottom	3/4 2s Melamine
1	4	28 1/2	upper stretcher	3/4 2s Melamine



Assembly #16 - Frg

Scott BD

L. Stile = 0	L. Scribe = 0	R. Stile = 0	R. Scribe = 0
T. Scribe = 3 1/2	B. Scribe = 0		
Toe Height = 0	Toe Recess = 3		
Left End = Unfinished	Right End = Unfinished	Back = Unfinished	

Dave Pace

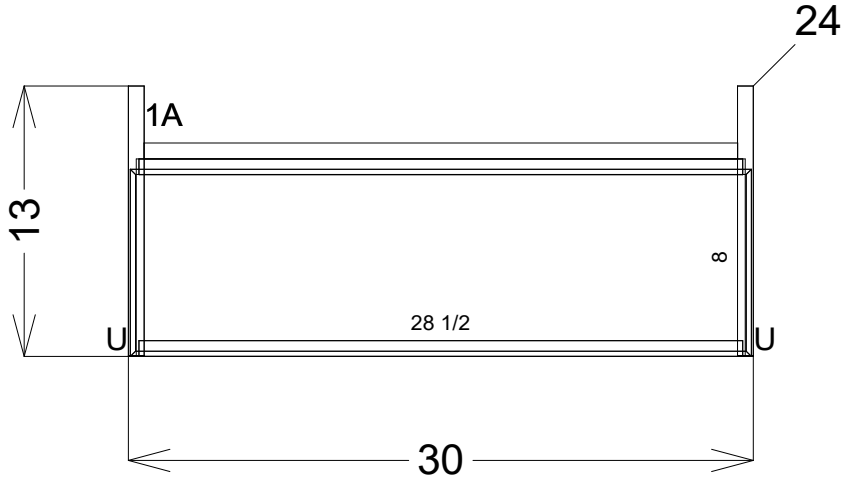
Default

Room #1 (kitchen) - Wall #2

Date: 06/17/26

Assembly #17 - Frg
 30 x 13 x 24 (1)

Doors				
1	29 13/16	9	Slab	walnut 1/2"
Panel Stock				
1	24	13	Unfinished Left End	3/4 2s Melamine
1	24	13	Unfinished Right End	3/4 2s Melamine
1	29 1/4	9 1/2	Unfinished Back	1/2 2s Melamine
1	23 1/2	29	Top	3/4 2s Melamine
1	23 1/2	29	Bottom	3/4 2s Melamine
1	4	28 1/2	upper stretcher	3/4 2s Melamine



Assembly #17 - Frg

Scott BD

L. Stile = 0	L. Scribe = 0	R. Stile = 0	R. Scribe = 0
T. Scribe = 3 1/2	B. Scribe = 0		
Toe Height = 0	Toe Recess = 3		
Left End = Unfinished	Right End = Unfinished	Back = Unfinished	

Dave Pace

Default

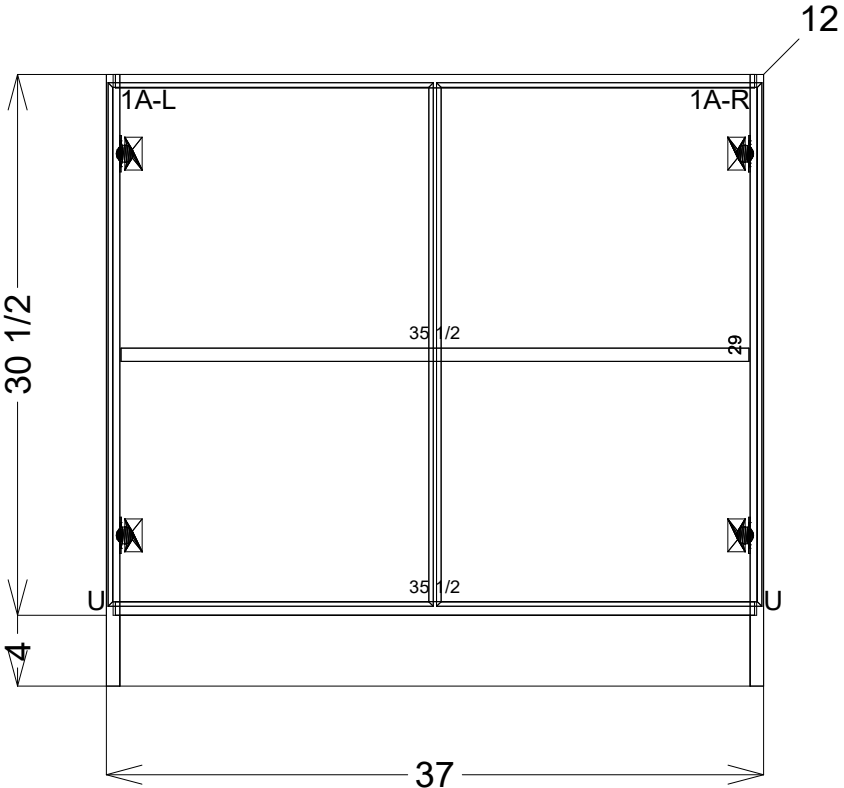
Room #1 (kitchen) - Wall #2

Date: 06/17/26

Assembly #19 - Bar Back

37 x 34 1/2 x 12 (1)

Doors				
2	18 5/16	29 9/16	Slab	walnut 1/2"
Panel Stock				
1	12	34 1/2	Unfinished Left End	3/4 2s Melamine
1	12	34 1/2	Unfinished Right End	3/4 2s Melamine
1	36 1/4	30 1/2	Unfinished Back	1/2 2s Melamine
1	11 1/2	36	Top	3/4 2s Melamine
1	11 1/2	36	Deck	3/4 2s Melamine
1	4	35 1/2	Front Toe	3/4 2s Melamine
1	11 3/8	35 3/8	Adjustable Shelf	3/4 2s Melamine ADJ
Hardware				
4	1 7/16	1 7/8	Hinge	RC 120 Euro
4	2 1/8	2 1/16	Hinge Plate	Hinge Plate



Assembly #19 - Bar Back

Scott BD

L. Stile = 0	L. Scribe = 0	R. Stile = 0	R. Scribe = 0
T. Scribe = 0	B. Scribe = 0		
Toe Height = 4	Toe Recess = 0		
Left End = Unfinished	Right End = Unfinished	Back = Unfinished	

Dave Pace

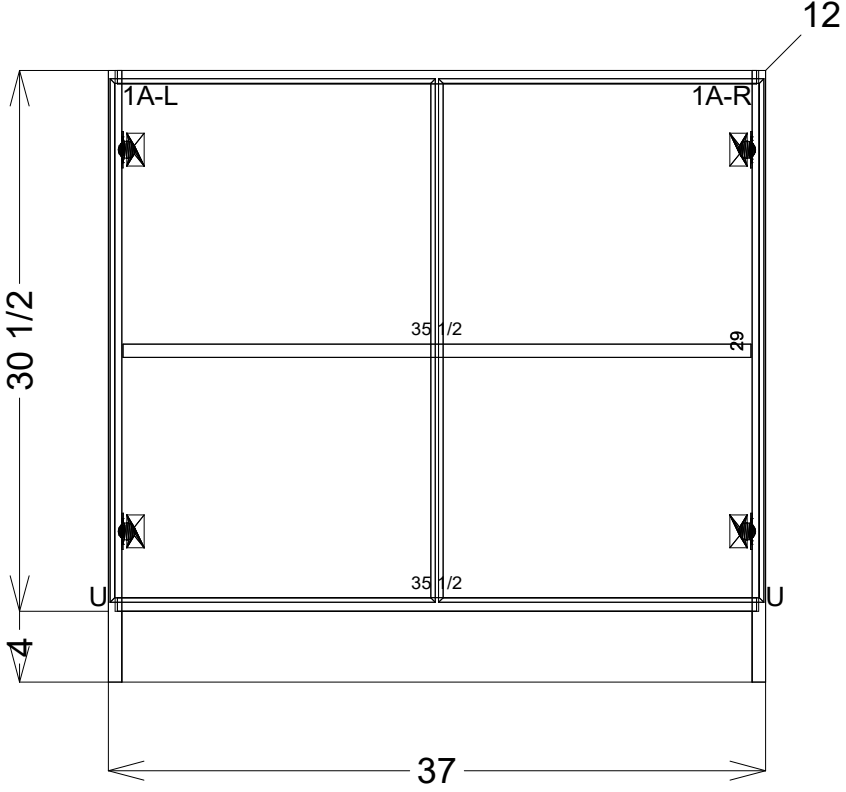
Default

Room #1 (kitchen) - Wall #3

Date: 06/17/26

Assembly #20 - Bar Back
 37 x 34 1/2 x 12 (1)

Doors				
2	18 5/16	29 9/16	Slab	walnut 1/2"
Panel Stock				
1	12	34 1/2	Unfinished Left End	3/4 2s Melamine
1	12	34 1/2	Unfinished Right End	3/4 2s Melamine
1	36 1/4	30 1/2	Unfinished Back	1/2 2s Melamine
1	11 1/2	36	Top	3/4 2s Melamine
1	11 1/2	36	Deck	3/4 2s Melamine
1	4	35 1/2	Front Toe	3/4 2s Melamine
1	11 3/8	35 3/8	Adjustable Shelf	3/4 2s Melamine ADJ
Hardware				
4	1 7/16	1 7/8	Hinge	RC 120 Euro
4	2 1/8	2 1/16	Hinge Plate	Hinge Plate



Assembly #20 - Bar Back
 Scott BD

L. Stile = 0	L. Scribe = 0	R. Stile = 0	R. Scribe = 0
T. Scribe = 0	B. Scribe = 0		
Toe Height = 4	Toe Recess = 0		
Left End = Unfinished	Right End = Unfinished	Back = Unfinished	

Dave Pace

Default

Room #1 (kitchen) - Wall #3

Date: 06/17/26

Drawer Fronts

1	23 13/16	13 11/16	Slab	walnut 1/2"
---	----------	----------	------	-------------

Panel Stock

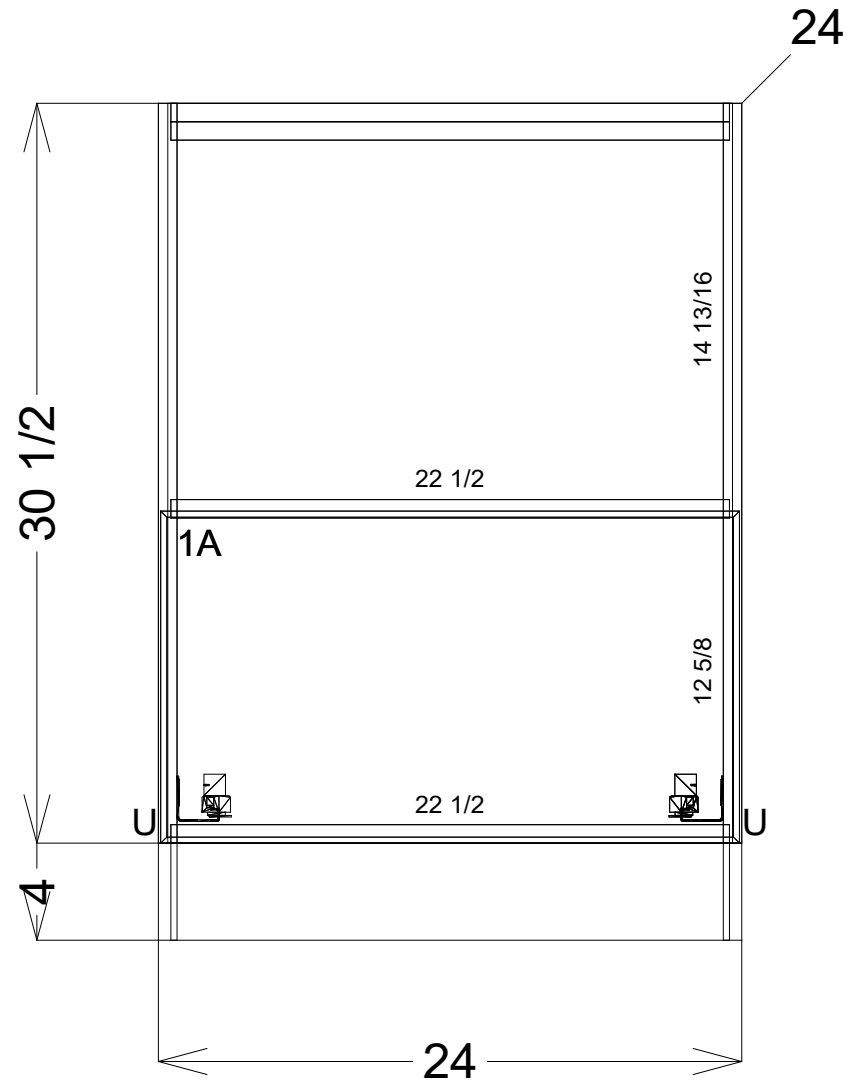
1	24	34 1/2	Unfinished Left End	3/4 2s Melamine
1	24	34 1/2	Unfinished Right End	3/4 2s Melamine
1	23 1/4	30 1/2	Unfinished Back	1/2 2s Melamine
1	23 1/2	23	Top	3/4 2s Melamine
1	23 1/2	23	Deck	3/4 2s Melamine
1	4	23	Front Toe	3/4 2s Melamine
1	23 1/2	23	Fixed Shelf	3/4 2s Melamine
1	4	23	Drawer Stretcher	3/4 2s Melamine
1	21 1/8	20 5/16	Drawer Box Bottom	1/2 2s Melamine
2	11 7/16	21	Drawer Box Side	5/8 Baltic Birch
1	11 7/16	22 1/16	Drawer Box Back	5/8 Baltic Birch
1	11 7/16	22 1/16	Drawer Box Sub Front	5/8 Baltic Birch

Hardware

1 P	1	21 1/2	Drawer Guide	RC 21
-----	---	--------	--------------	-------

Assembly #21 - Micro

24 x 34 1/2 x 24 (1)



Assembly #21 - Micro

Scott BD

L. Stile = 0	L. Scribe = 0	R. Stile = 0	R. Scribe = 0
T. Scribe = 0	B. Scribe = 0		
Toe Height = 4	Toe Recess = 3		
Left End = Unfinished	Right End = Unfinished	Back = Unfinished	

Dave Pace

Default

Room #1 (kitchen) - Wall #3

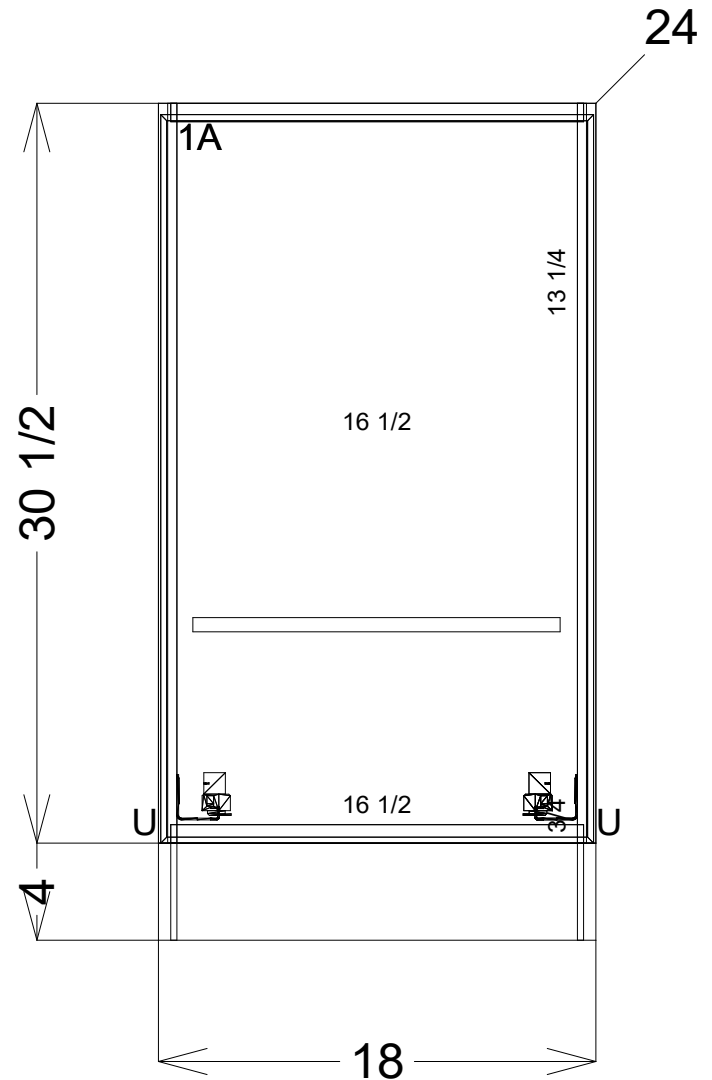
Date: 06/17/26

Doors				
1	17 13/16	30 1/16	Slab	walnut 1/2"

Panel Stock				
1	24	34 1/2	Unfinished Left End	3/4 2s Melamine
1	24	34 1/2	Unfinished Right End	3/4 2s Melamine
1	17 1/4	30 1/2	Unfinished Back	1/2 2s Melamine
1	23 1/2	17	Top	3/4 2s Melamine
1	23 1/2	17	Deck	3/4 2s Melamine
1	4	17	Front Toe	3/4 2s Melamine
1	15 1/8	21 5/16	Roll Out top	5/8 Baltic Birch
1	15 1/8	21 5/16	Roll Out Bottom	5/8 Baltic Birch
2	15	22	Roll Out Side	5/8 Baltic Birch
1	9	16 1/16	Roll Out Back	5/8 Baltic Birch
1	27 1/2	16 1/16	Roll Out Front	5/8 Baltic Birch

Hardware				
1 P	1	21 1/2	Roll Out Guide	RC 21 Rollout

Assembly #22 - DBL Trash
18 x 34 1/2 x 24 (1)



Assembly #22 - DBL Trash

Scott BD

L. Stile = 0	L. Scribe = 0	R. Stile = 0	R. Scribe = 0
T. Scribe = 0	B. Scribe = 0		
Toe Height = 4	Toe Recess = 3		
Left End = Unfinished	Right End = Unfinished	Back = Unfinished	

Dave Pace

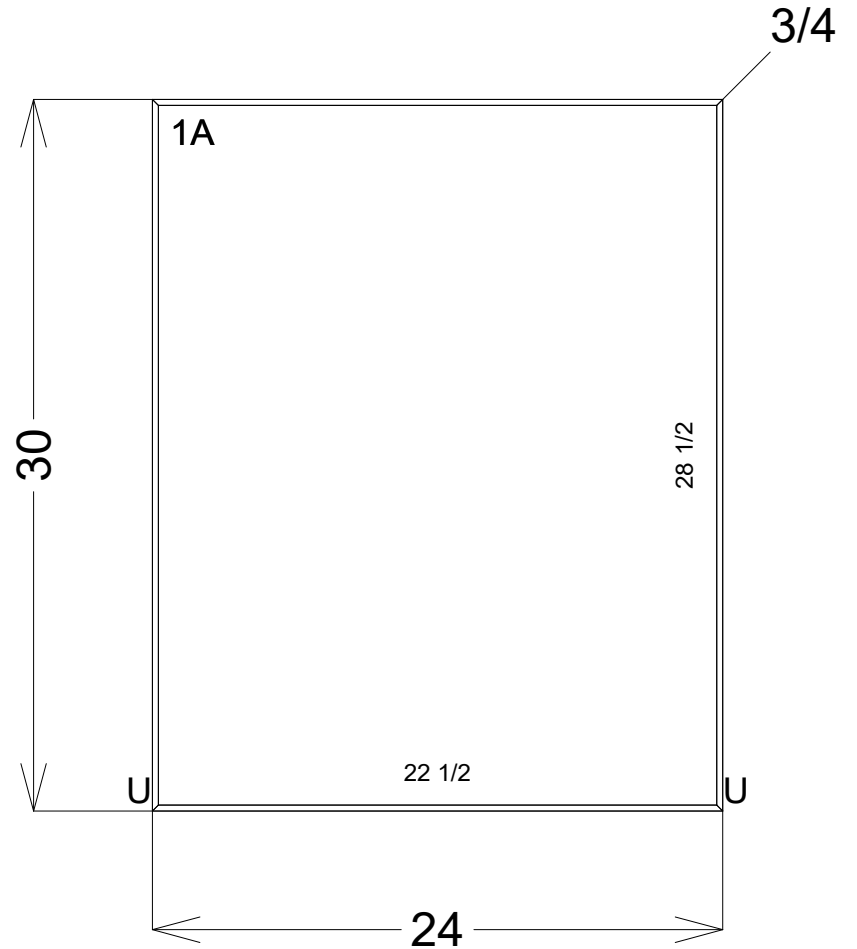
Default

Room #1 (kitchen) - Wall #3

Date: 06/17/26

Doors
 1 24 30 Slab walnut 1/2"

Assembly #24 - DW 24x30
 24 x 30 x 3/4 (1)



Assembly #24 - DW 24x30

Scott BD

L. Stile = 0 L. Scribe = 0 R. Stile = 0 R. Scribe = 0
 T. Scribe = 0 B. Scribe = 0
 Toe Height = 0 Toe Recess = 0
 Left End = Unfinished Right End = Unfinished Back = Unfinished

Dave Pace

Default

Room #1 (kitchen) - Wall #3

Date: 06/17/26

Drawer Fronts

1	17 13/16	7 5/16	Slab	walnut 1/2"
2	17 13/16	11 3/16	Slab	walnut 1/2"

Panel Stock

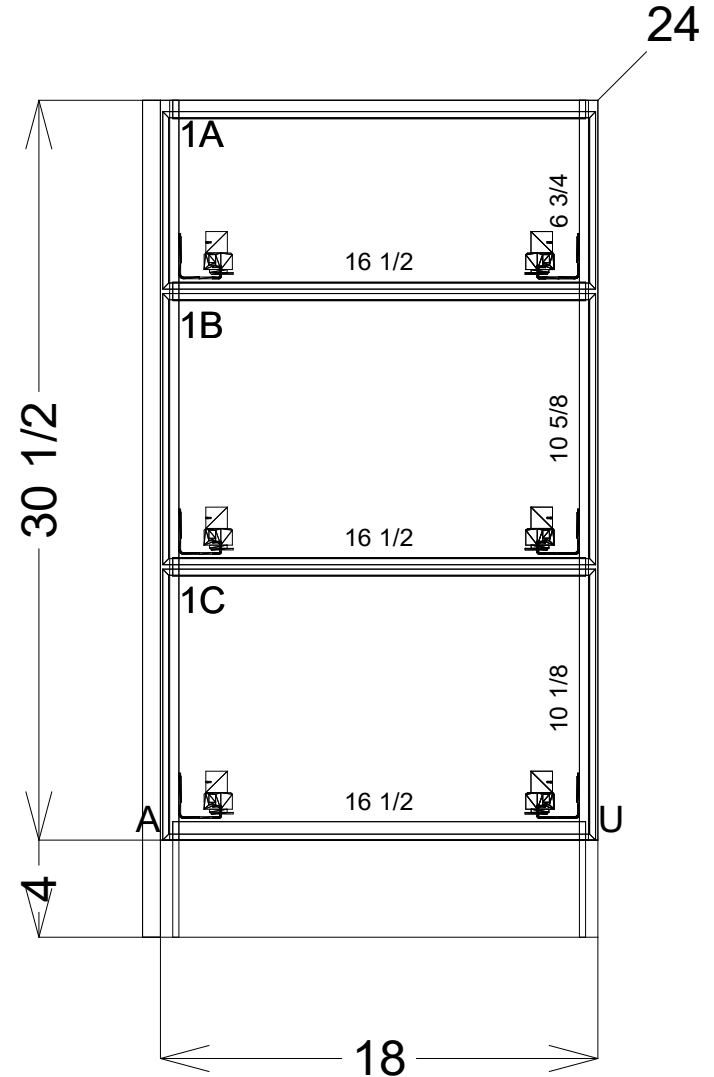
1	24	34 1/2	Left Sub End	3/4 2s Melamine
1	24 7/8	34 1/2	Finished Left End	3/4 2s Walnut Ply
1	24	34 1/2	Unfinished Right End	3/4 2s Melamine
1	17 1/4	30 1/2	Unfinished Back	1/2 2s Melamine
1	23 1/2	17	Top	3/4 2s Melamine
1	23 1/2	17	Deck	3/4 2s Melamine
1	4	17	Front Toe	3/4 2s Melamine
2	4	17	Drawer Stretcher	3/4 2s Melamine
3	15 1/8	20 5/16	Drawer Box Bottom	1/2 2s Melamine
2	5 9/16	21	Drawer Box Side	5/8 Baltic Birch
1	5 9/16	16 1/16	Drawer Box Back	5/8 Baltic Birch
1	5 9/16	16 1/16	Drawer Box Sub Front	5/8 Baltic Birch
2	9 7/16	21	Drawer Box Side	5/8 Baltic Birch
1	9 7/16	16 1/16	Drawer Box Back	5/8 Baltic Birch
1	9 7/16	16 1/16	Drawer Box Sub Front	5/8 Baltic Birch
2	8 15/16	21	Drawer Box Side	5/8 Baltic Birch
1	8 15/16	16 1/16	Drawer Box Back	5/8 Baltic Birch
1	8 15/16	16 1/16	Drawer Box Sub Front	5/8 Baltic Birch

Hardware

3 P	1	21 1/2	Drawer Guide	RC 21
-----	---	--------	--------------	-------

Assembly #25 - DS3

18 x 34 1/2 x 24 (1)



Assembly #25 - DS3

Scott BD

L. Stile = 0	L. Scribe = 0	R. Stile = 0	R. Scribe = 0
T. Scribe = 0	B. Scribe = 0		
Toe Height = 4	Toe Recess = 3		
Left End = Applied FE	Right End = Unfinished	Back = Unfinished	

Dave Pace

Default

Room #1 (kitchen) - Wall #3

Date: 06/17/26

Panel Stock

1 48

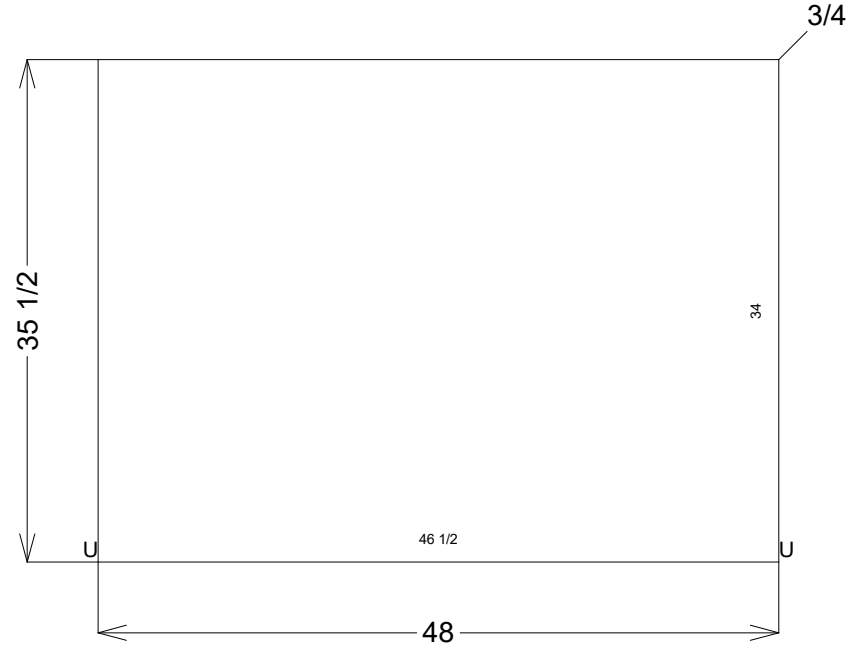
35 1/2

Finished Back

3/4 2s Walnut Ply

Assembly #26 - Bar Pnl

48 x 35 1/2 x 3/4 (1)



Assembly #26 - Bar Pnl

Scott BD

L. Stile = 0

L. Scribe = 0

R. Stile = 0

R. Scribe = 0

T. Scribe = 0

B. Scribe = 0

Toe Height = 0

Toe Recess = 0

Left End = Unfinished

Right End = Unfinished

Back = Finished

Dave Pace

Default

Room #1 (kitchen) - Wall #4

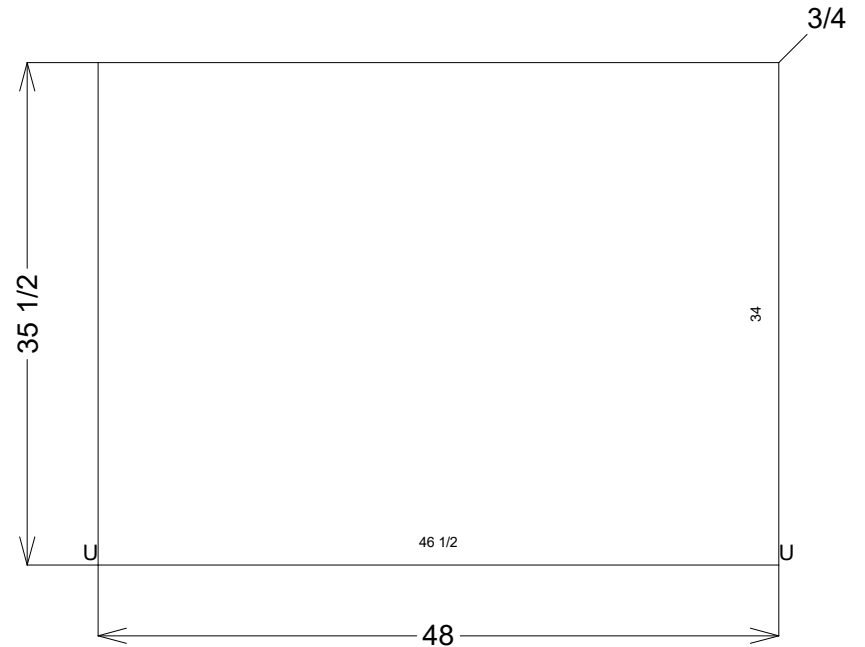
Date: 06/17/26

Panel Stock

1 48 35 1/2 Finished Back 3/4 2s Walnut Ply

Assembly #27 - Bar Pnl

48 x 35 1/2 x 3/4 (1)



Assembly #27 - Bar Pnl

Scott BD

L. Stile = 0 L. Scribe = 0 R. Stile = 0 R. Scribe = 0
 T. Scribe = 0 B. Scribe = 0
 Toe Height = 0 Toe Recess = 0
 Left End = Unfinished Right End = Unfinished Back = Finished

Dave Pace

Default

Room #1 (kitchen) - Wall #5

Date: 06/17/26

Panel Stock

1 22

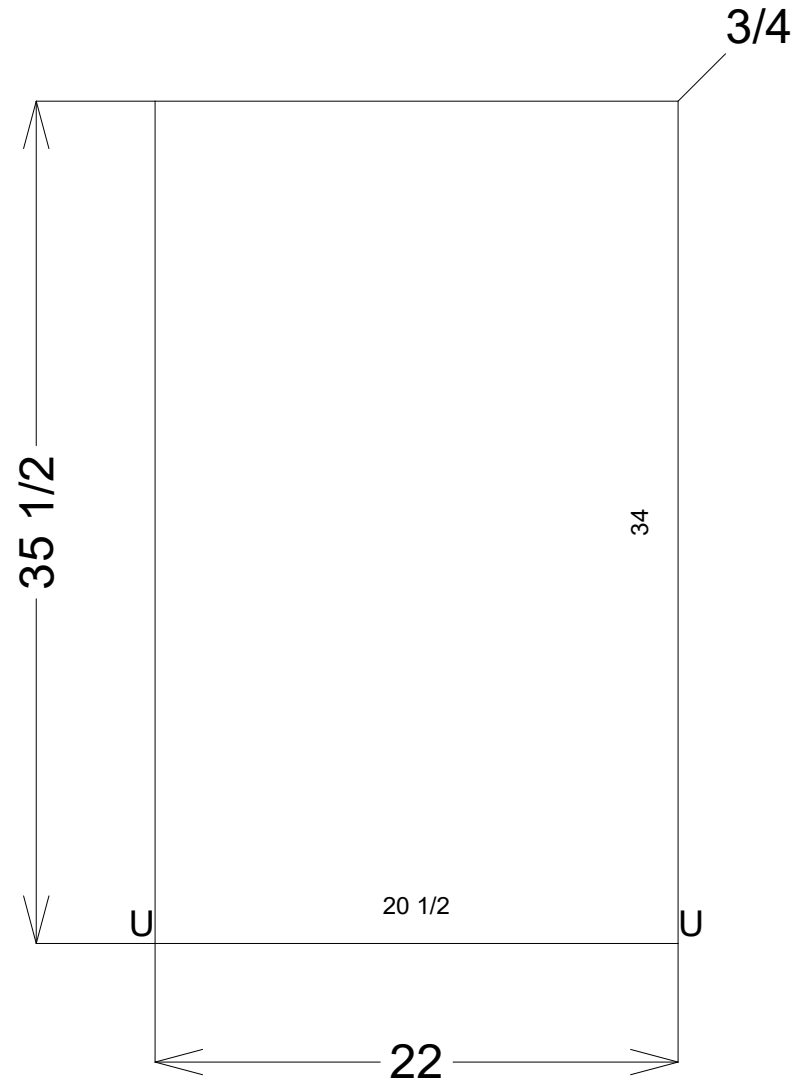
35 1/2

Finished Back

3/4 2s Walnut Ply

Assembly #28 -

22 x 35 1/2 x 3/4 (1)



Assembly #28 -

Scott BD

L. Stile = 0

L. Scribe = 0

R. Stile = 0

R. Scribe = 0

T. Scribe = 0

B. Scribe = 0

Toe Height = 0

Toe Recess = 0

Left End = Unfinished

Right End = Unfinished

Back = Finished

Dave Pace

Default

Room #1 (kitchen) - Wall #6

Date: 06/17/26

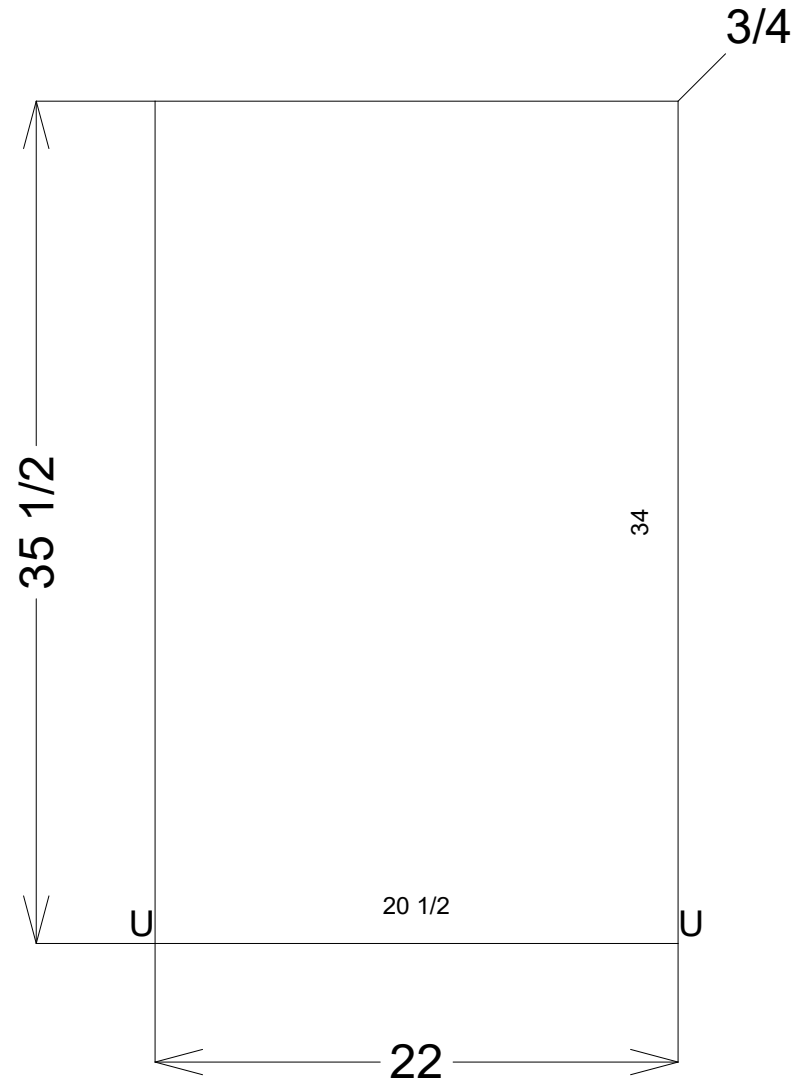
Panel Stock
1 22

35 1/2

Finished Back

3/4 2s Walnut Ply

Assembly #29 - Bar Pnl
22 x 35 1/2 x 3/4 (1)



Assembly #29 - Bar Pnl

Scott BD

L. Stile = 0 L. Scribe = 0 R. Stile = 0 R. Scribe = 0
T. Scribe = 0 B. Scribe = 0
Toe Height = 0 Toe Recess = 0
Left End = Unfinished Right End = Unfinished Back = Finished

Dave Pace

Default

Room #1 (kitchen) - Wall #7

Date: 06/17/26

Panel Stock

1 6

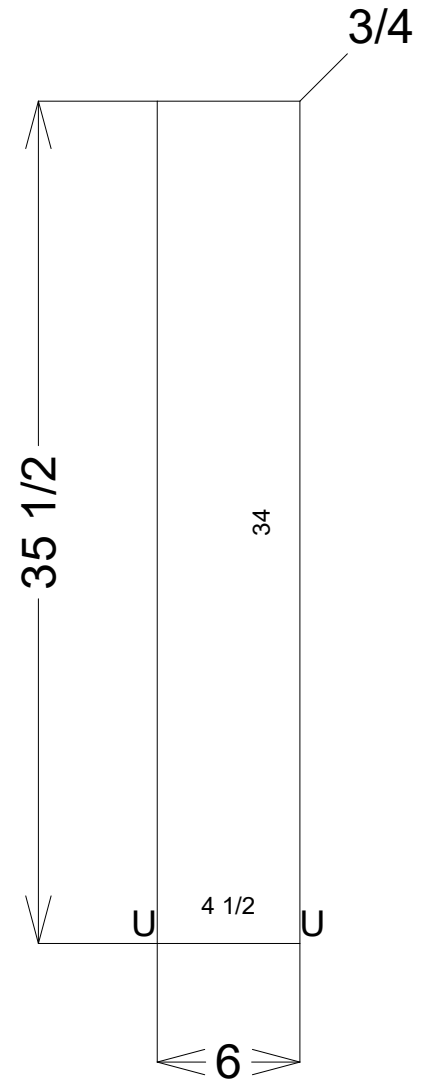
35 1/2

Finished Back

3/4 2s Walnut Ply

Assembly #30 - Bar Pnl

6 x 35 1/2 x 3/4 (1)



Assembly #30 - Bar Pnl

Scott BD

L. Stile = 0

L. Scribe = 0

R. Stile = 0

R. Scribe = 0

T. Scribe = 0

B. Scribe = 0

Toe Height = 0

Toe Recess = 0

Left End = Unfinished

Right End = Unfinished

Back = Finished

Dave Pace

Default

Room #1 (kitchen) - Wall #10

Date: 06/17/26

Panel Stock

1 6

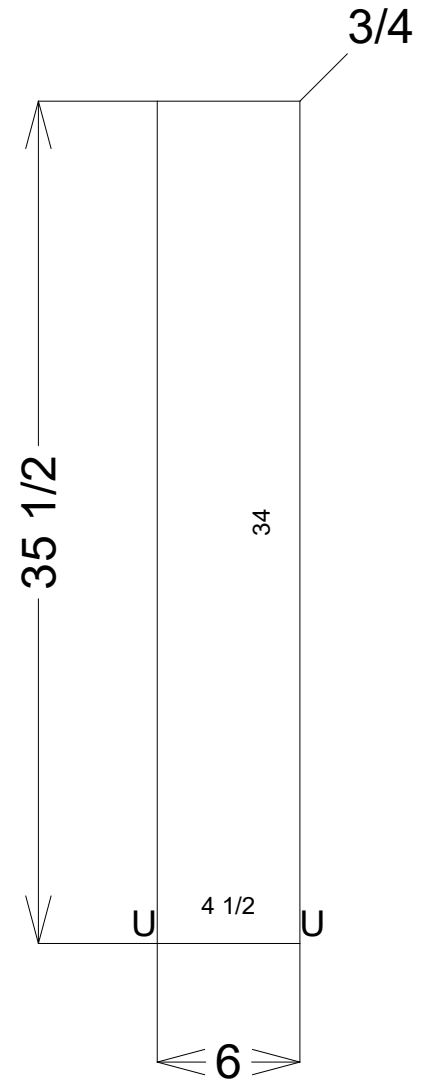
35 1/2

Finished Back

3/4 2s Walnut Ply

Assembly #31 - Bar Pnl

6 x 35 1/2 x 3/4 (1)



Assembly #31 - Bar Pnl

Scott BD

L. Stile = 0

L. Scribe = 0

R. Stile = 0

R. Scribe = 0

T. Scribe = 0

B. Scribe = 0

Toe Height = 0

Toe Recess = 0

Left End = Unfinished

Right End = Unfinished

Back = Finished

Dave Pace

Default

Room #1 (kitchen) - Wall #10

Date: 06/17/26

Panel Stock

1 4

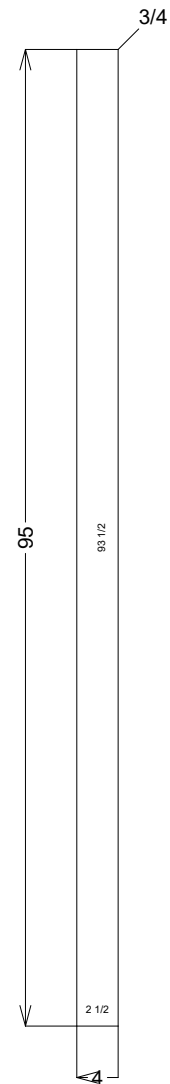
95

Finished Back

3/4 2s Walnut Ply

Assembly #32 - Bar Pnl

4 x 95 x 3/4 (1)



Assembly #32 - Bar Pnl

Scott BD

L. Stile = 0

L. Scribe = 0

R. Stile = 0

R. Scribe = 0

T. Scribe = 0

B. Scribe = 0

Toe Height = 0

Toe Recess = 0

Left End = Unfinished

Right End = Unfinished

Back = Finished

Dave Pace

Default

Room #1 (kitchen) - Wall #10

Date: 06/17/26

Panel Stock

1 4

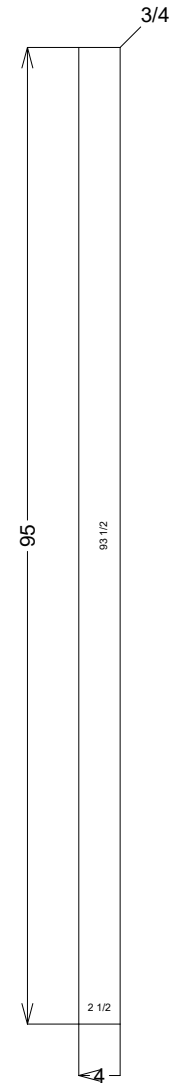
95

Finished Back

3/4 2s Walnut Ply

Assembly #33 - Bar Pnl

4 x 95 x 3/4 (1)



Assembly #33 - Bar Pnl

Scott BD

L. Stile = 0

L. Scribe = 0

R. Stile = 0

R. Scribe = 0

T. Scribe = 0

B. Scribe = 0

Toe Height = 0

Toe Recess = 0

Left End = Unfinished

Right End = Unfinished

Back = Finished

Dave Pace

Default

Room #1 (kitchen) - Wall #10

Date: 06/17/26

Panel Stock

1 4

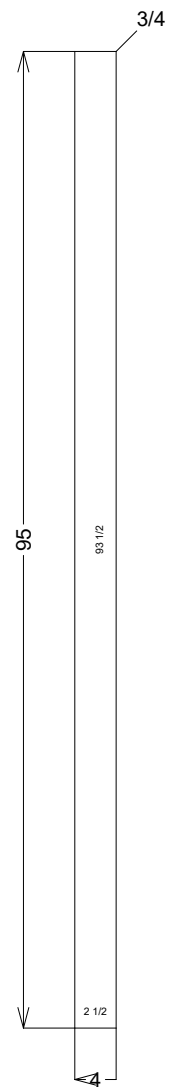
95

Finished Back

3/4 2s Walnut Ply

Assembly #34 - Bar Pnl

4 x 95 x 3/4 (1)



Assembly #34 - Bar Pnl

Scott BD

L. Stile = 0

L. Scribe = 0

R. Stile = 0

R. Scribe = 0

T. Scribe = 0

B. Scribe = 0

Toe Height = 0

Toe Recess = 0

Left End = Unfinished

Right End = Unfinished

Back = Finished

Dave Pace

Default

Room #1 (kitchen) - Wall #10

Date: 06/17/26

Panel Stock

1 4

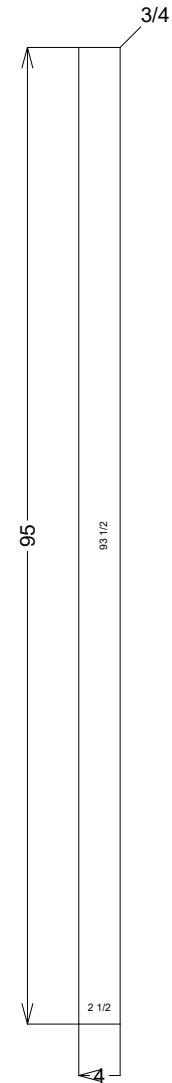
95

Finished Back

3/4 2s Walnut Ply

Assembly #35 - Bar Pnl

4 x 95 x 3/4 (1)



Assembly #35 - Bar Pnl

Scott BD

L. Stile = 0

L. Scribe = 0

R. Stile = 0

R. Scribe = 0

T. Scribe = 0

B. Scribe = 0

Toe Height = 0

Toe Recess = 0

Left End = Unfinished

Right End = Unfinished

Back = Finished

Dave Pace

Default

Room #1 (kitchen) - Wall #10

Date: 06/17/26

Drawer Fronts

2 21 13/16 12 11/16 Slab walnut 1/2"

Panel Stock

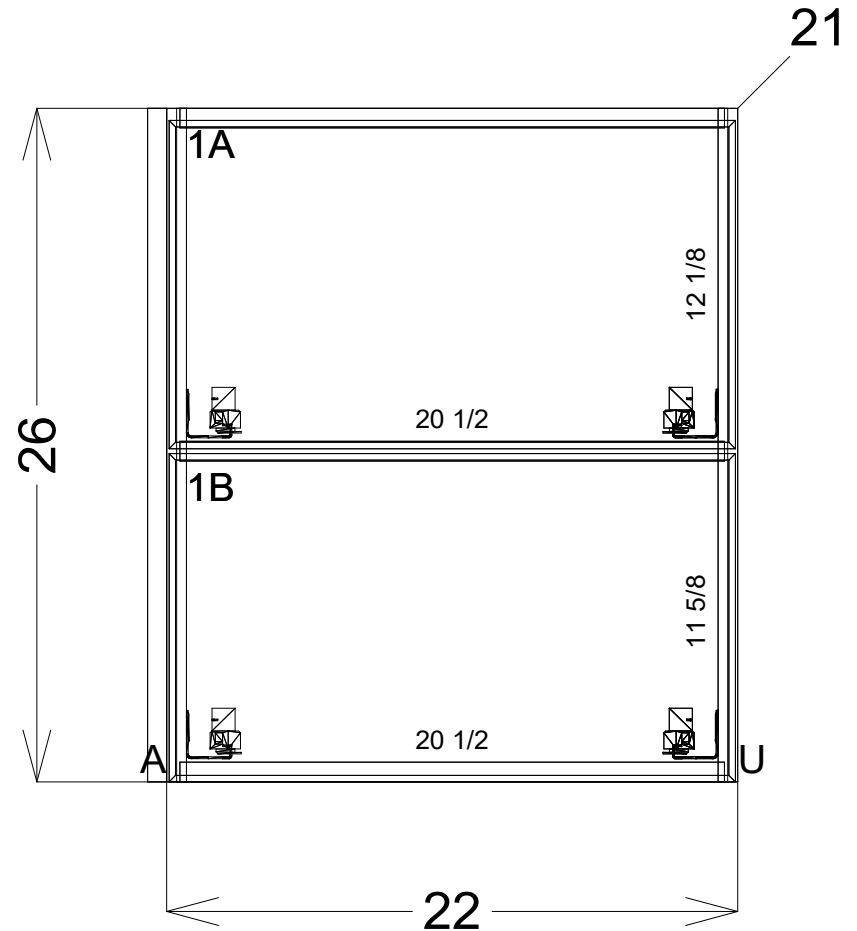
1 21 26 Left Sub End 3/4 2s Melamine
 1 21 7/8 26 Finished Left End 3/4 2s Walnut Ply
 1 21 26 Unfinished Right End 3/4 2s Melamine
 1 21 1/4 26 Unfinished Back 3/4 2s Melamine
 1 20 1/4 21 Top 3/4 2s Melamine
 1 20 1/4 21 Deck 3/4 2s Melamine
 1 4 21 Drawer Stretcher 3/4 2s Melamine
 2 19 1/8 17 5/16 Drawer Box Bottom 1/2 2s Melamine
 2 10 15/16 18 Drawer Box Side 5/8 Baltic Birch
 1 10 15/16 20 1/16 Drawer Box Back 5/8 Baltic Birch
 1 10 15/16 20 1/16 Drawer Box Sub Front 5/8 Baltic Birch
 2 10 7/16 18 Drawer Box Side 5/8 Baltic Birch
 1 10 7/16 20 1/16 Drawer Box Back 5/8 Baltic Birch
 1 10 7/16 20 1/16 Drawer Box Sub Front 5/8 Baltic Birch

Hardware

2 P 1 18 1/2 Drawer Guide RC 18

Assembly #36 - DS2

22 x 26 x 21 (1)



Assembly #36 - DS2

Scott BD

L. Stile = 0 L. Scribe = 0 R. Stile = 0 R. Scribe = 0
 T. Scribe = 0 B. Scribe = 0
 Toe Height = 0 Toe Recess = 0
 Left End = Applied FE Right End = Unfinished Back = Unfinished

Dave Pace

Default

Room #2 (master) - Wall #1

Date: 06/17/26

Drawer Fronts

2	21 13/16	12 11/16	Slab	walnut 1/2"
---	----------	----------	------	-------------

Panel Stock

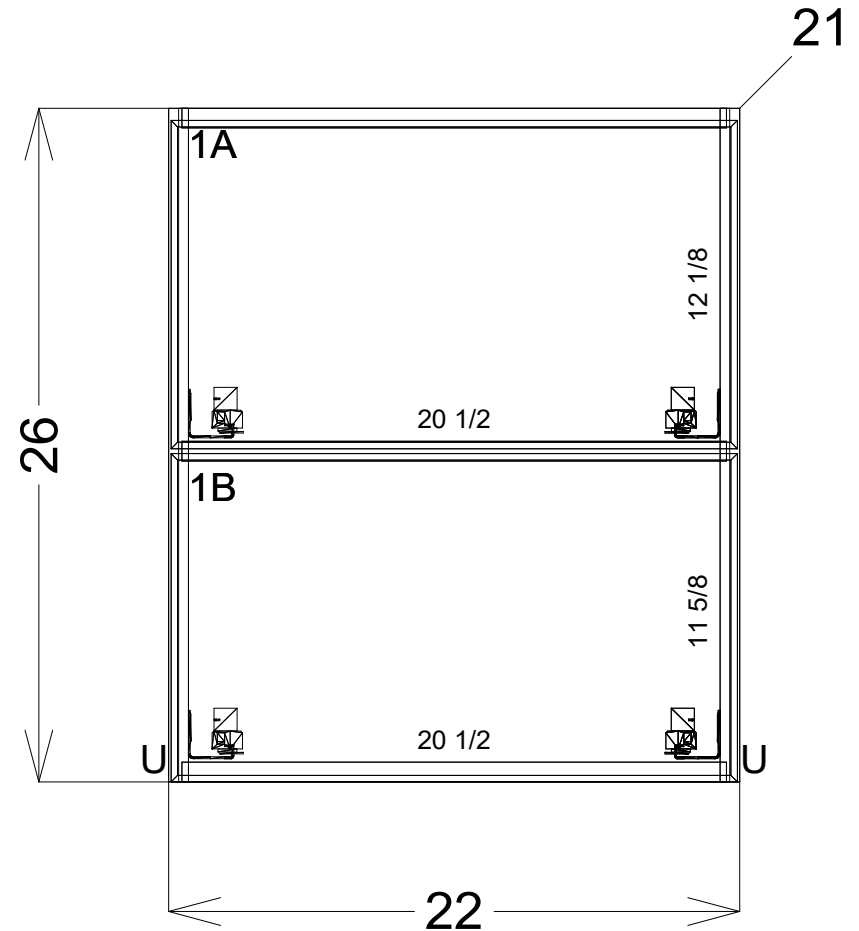
1	21	26	Unfinished Left End	3/4 2s Melamine
1	21	26	Unfinished Right End	3/4 2s Melamine
1	21 1/4	26	Unfinished Back	3/4 2s Melamine
1	20 1/4	21	Top	3/4 2s Melamine
1	20 1/4	21	Deck	3/4 2s Melamine
1	4	21	Drawer Stretcher	3/4 2s Melamine
2	19 1/8	17 5/16	Drawer Box Bottom	1/2 2s Melamine
2	10 15/16	18	Drawer Box Side	5/8 Baltic Birch
1	10 15/16	20 1/16	Drawer Box Back	5/8 Baltic Birch
1	10 15/16	20 1/16	Drawer Box Sub Front	5/8 Baltic Birch
2	10 7/16	18	Drawer Box Side	5/8 Baltic Birch
1	10 7/16	20 1/16	Drawer Box Back	5/8 Baltic Birch
1	10 7/16	20 1/16	Drawer Box Sub Front	5/8 Baltic Birch

Hardware

2 P	1	18 1/2	Drawer Guide	RC 18
-----	---	--------	--------------	-------

Assembly #37 - DS2

22 x 26 x 21 (1)



Assembly #37 - DS2

Scott BD

L. Stile = 0	L. Scribe = 0	R. Stile = 0	R. Scribe = 0
T. Scribe = 0	B. Scribe = 0		
Toe Height = 0	Toe Recess = 0		
Left End = Unfinished	Right End = Unfinished	Back = Unfinished	

Dave Pace

Default

Room #2 (master) - Wall #1

Date: 06/17/26

Assembly #38 - DS2

22 x 26 x 21 (1)

Drawer Fronts

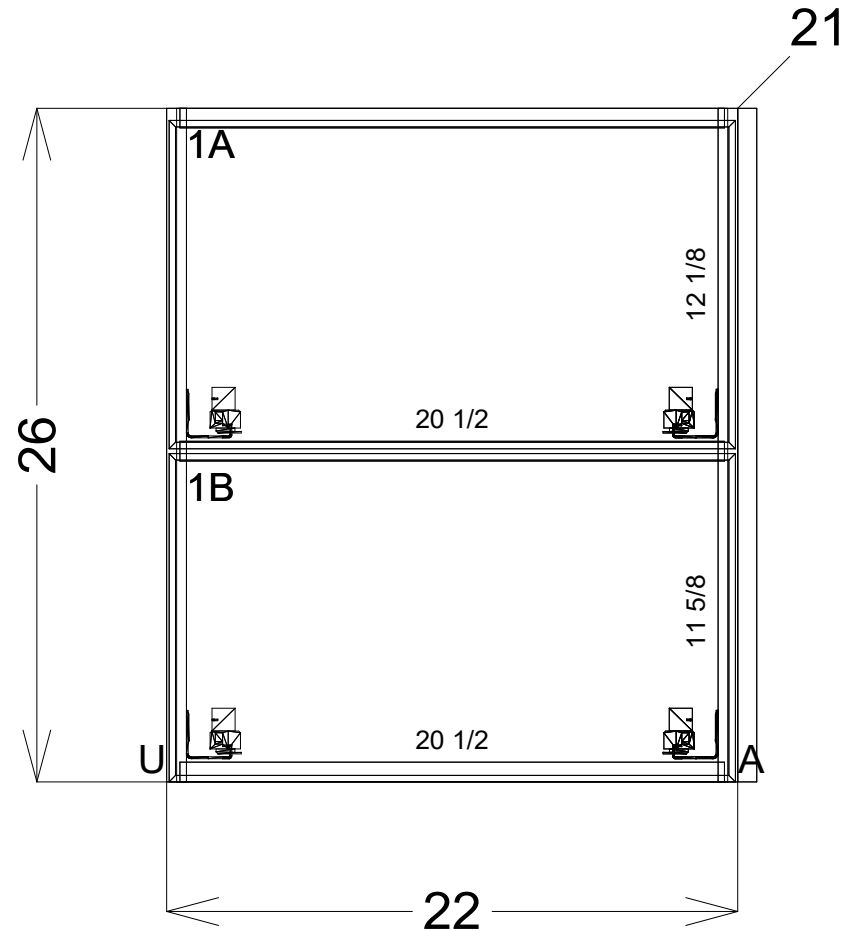
2	21 13/16	12 11/16	Slab	walnut 1/2"
---	----------	----------	------	-------------

Panel Stock

1	21	26	Unfinished Left End	3/4 2s Melamine
1	21	26	Right Sub End	3/4 2s Melamine
1	5 7/8	26	Finished Right End	3/4 2s Walnut Ply
1	21 1/4	26	Unfinished Back	3/4 2s Melamine
1	20 1/4	21	Top	3/4 2s Melamine
1	20 1/4	21	Deck	3/4 2s Melamine
1	4	21	Drawer Stretcher	3/4 2s Melamine
2	19 1/8	17 5/16	Drawer Box Bottom	1/2 2s Melamine
2	10 15/16	18	Drawer Box Side	5/8 Baltic Birch
1	10 15/16	20 1/16	Drawer Box Back	5/8 Baltic Birch
1	10 15/16	20 1/16	Drawer Box Sub Front	5/8 Baltic Birch
2	10 7/16	18	Drawer Box Side	5/8 Baltic Birch
1	10 7/16	20 1/16	Drawer Box Back	5/8 Baltic Birch
1	10 7/16	20 1/16	Drawer Box Sub Front	5/8 Baltic Birch

Hardware

2 P	1	18 1/2	Drawer Guide	RC 18
-----	---	--------	--------------	-------



Assembly #38 - DS2

Scott BD

L. Stile = 0	L. Scribe = 0	R. Stile = 0	R. Scribe = 0
T. Scribe = 0	B. Scribe = 0		
Toe Height = 0	Toe Recess = 0		
Left End = Unfinished	Right End = Applied FE	Back = Unfinished	

Dave Pace

Default

Room #2 (master) - Wall #1

Date: 06/17/26

Assembly #39 - Tall 96

33 x 96 x 21 (1)

Doors

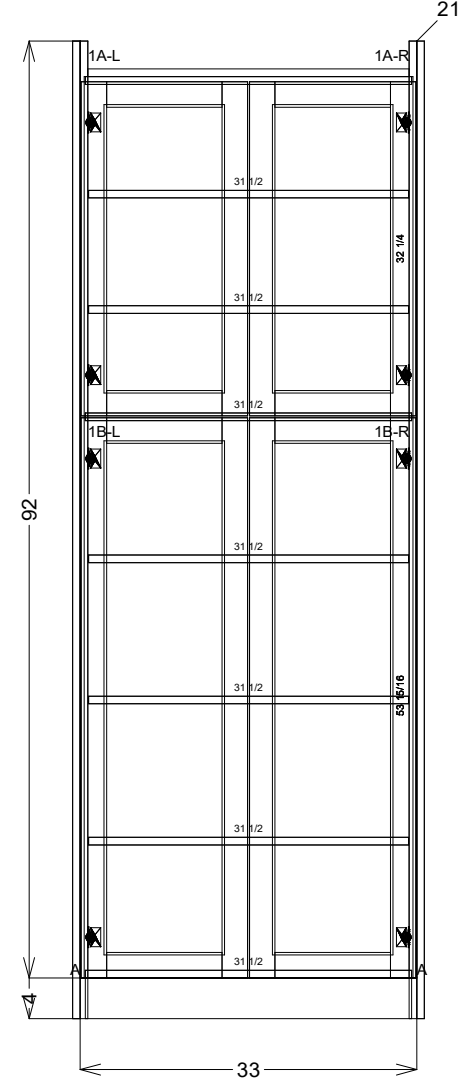
2	16 5/16	32 13/16	Square Raised Panel	Maple
2	16 5/16	55	Square Raised Panel	Maple

Panel Stock

1	21	96	Left Sub End	3/4 2s Melamine
1	5 7/8	96	Finished Left End	3/4 2s Walnut Ply
1	21	96	Right Sub End	3/4 2s Melamine
1	21 7/8	96	Finished Right End	3/4 2s Walnut Ply
1	32 1/4	88 1/2	Unfinished Back	1/2 2s Melamine
1	20 1/2	32	Top	3/4 2s Melamine
1	20 1/2	32	Deck	3/4 2s Melamine
1	4	32	Front Toe	3/4 2s Melamine
1	4	31 1/2	upper stretcher	3/4 2s Melamine
1	20 1/2	32	Fixed Shelf	3/4 2s Melamine
5	20 3/8	31 3/8	Adjustable Shelf	3/4 2s Melamine ADJ

Hardware

8	1 7/16	1 7/8	Hinge	RC 120 Euro
8	2 1/8	2 1/16	Hinge Plate	Hinge Plate



Assembly #39 - Tall 96

Scott BD

L. Stile = 0	L. Scribe = 0	R. Stile = 0	R. Scribe = 0
T. Scribe = 3 1/2	B. Scribe = 0		
Toe Height = 4	Toe Recess = 3		
Left End = Applied FE	Right End = Applied FE	Back = Unfinished	

Dave Pace

Default

Room #3 (mudroom) - Wall #2

Date: 06/17/26

Assembly #40 - DS2
30 3/4 x 20 x 21 (1)

Drawer Fronts

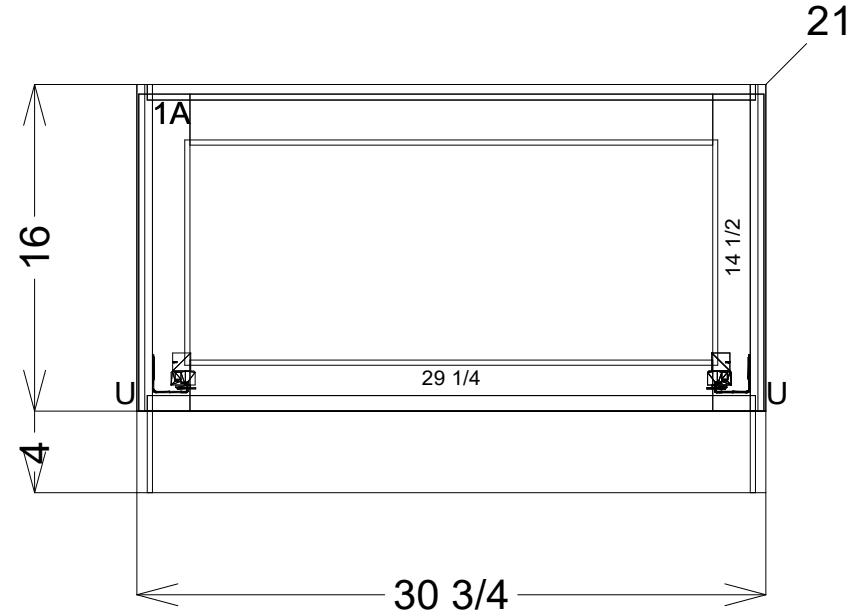
1 30 9/16 15 9/16 Square Raised Panel Maple

Panel Stock

1 21 20 Unfinished Left End 3/4 2s Melamine
 1 21 20 Unfinished Right End 3/4 2s Melamine
 1 30 16 Unfinished Back 1/2 2s Melamine
 1 20 1/2 29 3/4 Top 3/4 2s Melamine
 1 20 1/2 29 3/4 Deck 3/4 2s Melamine
 1 4 29 3/4 Front Toe 3/4 2s Melamine
 1 27 7/8 17 5/16 Drawer Box Bottom 1/2 2s Melamine
 2 13 5/16 18 Drawer Box Side 5/8 Baltic Birch
 1 13 5/16 28 13/16 Drawer Box Back 5/8 Baltic Birch
 1 13 5/16 28 13/16 Drawer Box Sub Front 5/8 Baltic Birch

Hardware

1 P 1 18 1/2 Drawer Guide RC 18



Assembly #40 - DS2

Scott BD

L. Stile = 0 L. Scribe = 0 R. Stile = 0 R. Scribe = 0
 T. Scribe = 0 B. Scribe = 0
 Toe Height = 4 Toe Recess = 3
 Left End = Unfinished Right End = Unfinished Back = Unfinished

Dave Pace

Default

Room #3 (mudroom) - Wall #2

Date: 06/17/26

Assembly #41 - DS2
30 3/4 x 20 x 21 (1)

Drawer Fronts

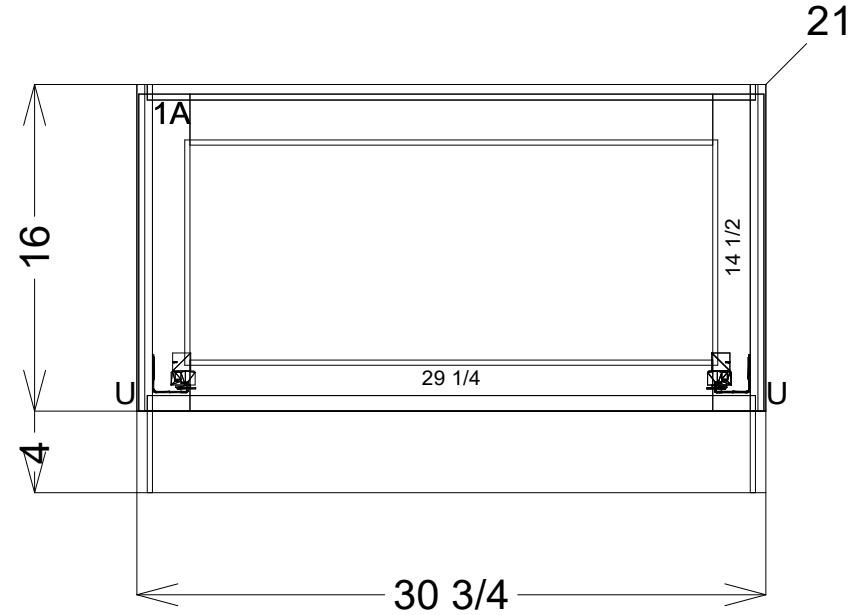
1 30 9/16 15 9/16 Square Raised Panel Maple

Panel Stock

1 21 20 Unfinished Left End 3/4 2s Melamine
 1 21 20 Unfinished Right End 3/4 2s Melamine
 1 30 16 Unfinished Back 1/2 2s Melamine
 1 20 1/2 29 3/4 Top 3/4 2s Melamine
 1 20 1/2 29 3/4 Deck 3/4 2s Melamine
 1 4 29 3/4 Front Toe 3/4 2s Melamine
 1 27 7/8 17 5/16 Drawer Box Bottom 1/2 2s Melamine
 2 13 5/16 18 Drawer Box Side 5/8 Baltic Birch
 1 13 5/16 28 13/16 Drawer Box Back 5/8 Baltic Birch
 1 13 5/16 28 13/16 Drawer Box Sub Front 5/8 Baltic Birch

Hardware

1 P 1 18 1/2 Drawer Guide RC 18



Assembly #41 - DS2

Scott BD

L. Stile = 0 L. Scribe = 0 R. Stile = 0 R. Scribe = 0
 T. Scribe = 0 B. Scribe = 0
 Toe Height = 4 Toe Recess = 3
 Left End = Unfinished Right End = Unfinished Back = Unfinished

Dave Pace

Default

Room #3 (mudroom) - Wall #2

Date: 06/17/26

Assembly #42 - Tall 96

33 x 96 x 21 (1)

Doors

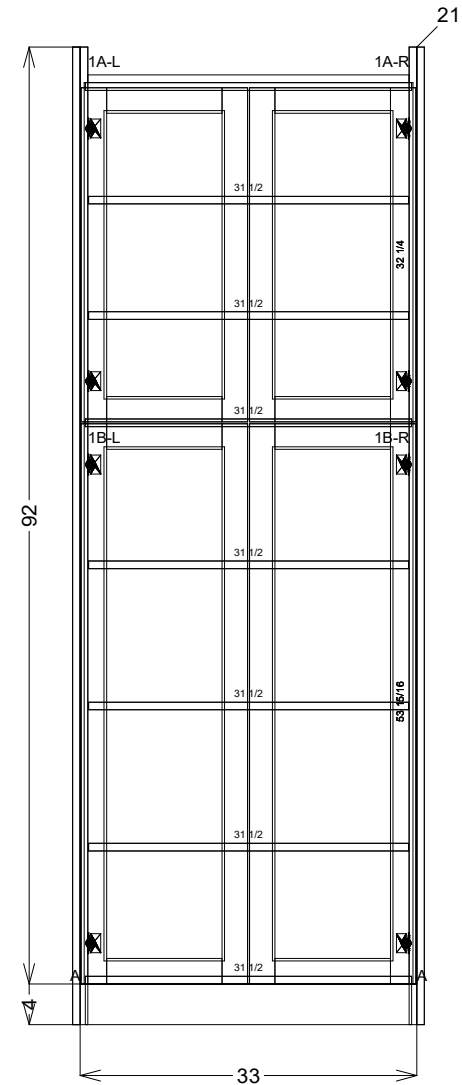
2	16 5/16	32 13/16	Square Raised Panel	Maple
2	16 5/16	55	Square Raised Panel	Maple

Panel Stock

1	21	96	Left Sub End	3/4 2s Melamine
1	21 7/8	96	Finished Left End	3/4 2s Walnut Ply
1	21	96	Right Sub End	3/4 2s Melamine
1	5 7/8	96	Finished Right End	3/4 2s Walnut Ply
1	32 1/4	88 1/2	Unfinished Back	1/2 2s Melamine
1	20 1/2	32	Top	3/4 2s Melamine
1	20 1/2	32	Deck	3/4 2s Melamine
1	4	32	Front Toe	3/4 2s Melamine
1	4	31 1/2	upper stretcher	3/4 2s Melamine
1	20 1/2	32	Fixed Shelf	3/4 2s Melamine
5	20 3/8	31 3/8	Adjustable Shelf	3/4 2s Melamine ADJ

Hardware

8	1 7/16	1 7/8	Hinge	RC 120 Euro
8	2 1/8	2 1/16	Hinge Plate	Hinge Plate



Assembly #42 - Tall 96

Scott BD

L. Stile = 0	L. Scribe = 0	R. Stile = 0	R. Scribe = 0
T. Scribe = 3 1/2	B. Scribe = 0		
Toe Height = 4	Toe Recess = 3		
Left End = Applied FE	Right End = Applied FE	Back = Unfinished	

Dave Pace

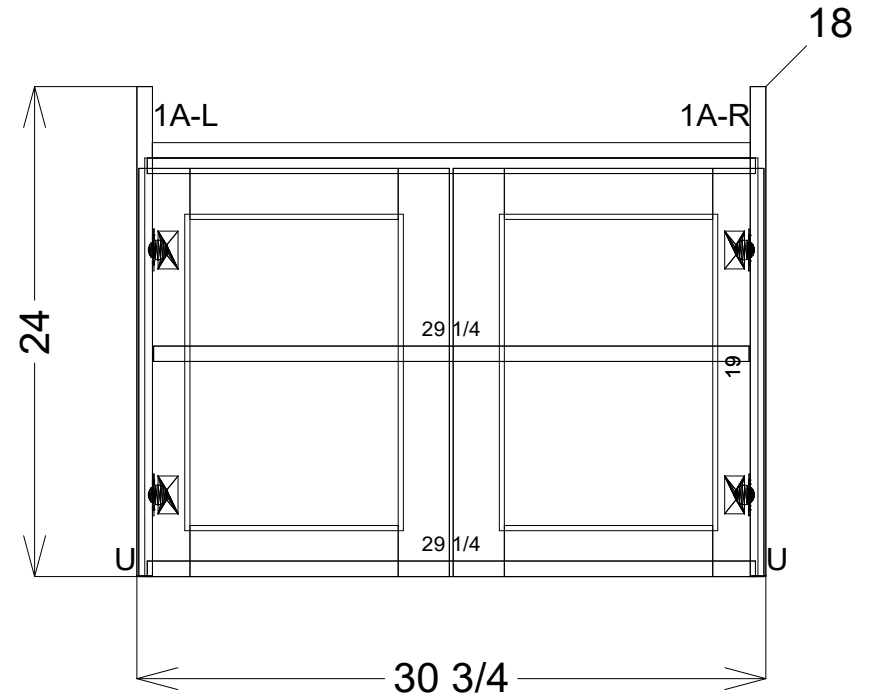
Default

Room #3 (mudroom) - Wall #2

Date: 06/17/26

Assembly #43 - Wall
30 3/4 x 24 x 18 (1)

Doors				
2	15 3/16	20	Square Raised Panel	Maple
Panel Stock				
1	18	24	Unfinished Left End	3/4 2s Melamine
1	18	24	Unfinished Right End	3/4 2s Melamine
1	30	20 1/2	Unfinished Back	1/2 2s Melamine
1	17 1/2	29 3/4	Top	3/4 2s Melamine
1	17 1/2	29 3/4	Bottom	3/4 2s Melamine
1	4	29 1/4	upper stretcher	3/4 2s Melamine
1	17 3/8	29 1/8	Adjustable Shelf	3/4 2s Melamine ADJ
Hardware				
4	1 7/16	1 7/8	Hinge	RC 120 Euro
4	2 1/8	2 1/16	Hinge Plate	Hinge Plate



Assembly #43 - Wall

Scott BD

L. Stile = 0	L. Scribe = 0	R. Stile = 0	R. Scribe = 0
T. Scribe = 3 1/2	B. Scribe = 0		
Toe Height = 0	Toe Recess = 3		
Left End = Unfinished	Right End = Unfinished	Back = Unfinished	

Dave Pace

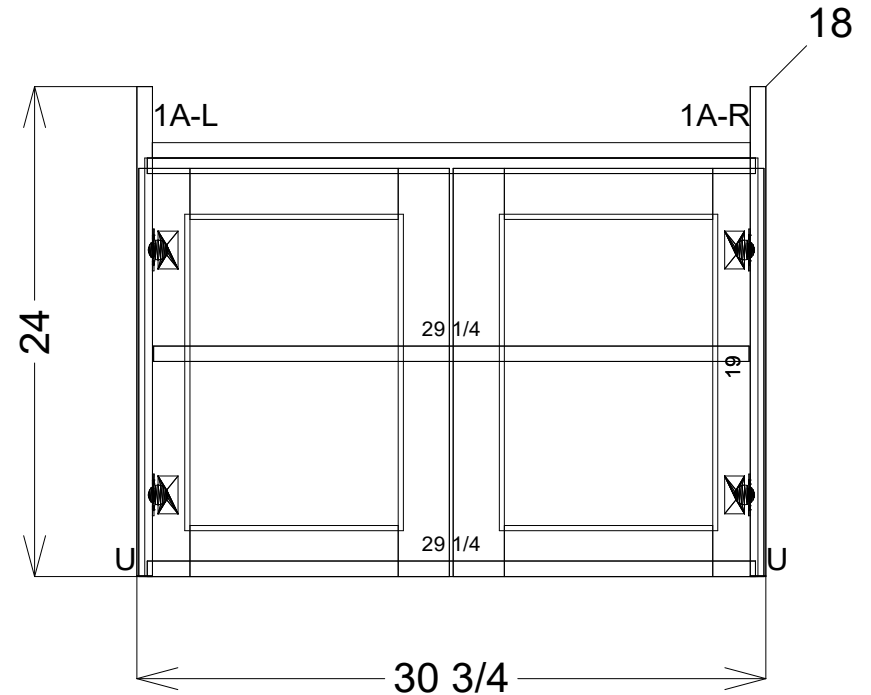
Default

Room #3 (mudroom) - Wall #2

Date: 06/17/26

Assembly #44 - Wall
30 3/4 x 24 x 18 (1)

Doors				
2	15 3/16	20	Square Raised Panel	Maple
Panel Stock				
1	18	24	Unfinished Left End	3/4 2s Melamine
1	18	24	Unfinished Right End	3/4 2s Melamine
1	30	20 1/2	Unfinished Back	1/2 2s Melamine
1	17 1/2	29 3/4	Top	3/4 2s Melamine
1	17 1/2	29 3/4	Bottom	3/4 2s Melamine
1	4	29 1/4	upper stretcher	3/4 2s Melamine
1	17 3/8	29 1/8	Adjustable Shelf	3/4 2s Melamine ADJ
Hardware				
4	1 7/16	1 7/8	Hinge	RC 120 Euro
4	2 1/8	2 1/16	Hinge Plate	Hinge Plate



Assembly #44 - Wall
Scott BD

L. Stile = 0	L. Scribe = 0	R. Stile = 0	R. Scribe = 0
T. Scribe = 3 1/2	B. Scribe = 0		
Toe Height = 0	Toe Recess = 3		
Left End = Unfinished	Right End = Unfinished	Back = Unfinished	

Dave Pace

Default

Room #3 (mudroom) - Wall #2

Date: 06/17/26

Drawer Fronts

1	23 13/16	7	Slab	Oak 1/2"
2	23 13/16	11 5/16	Slab	Oak 1/2"

Panel Stock

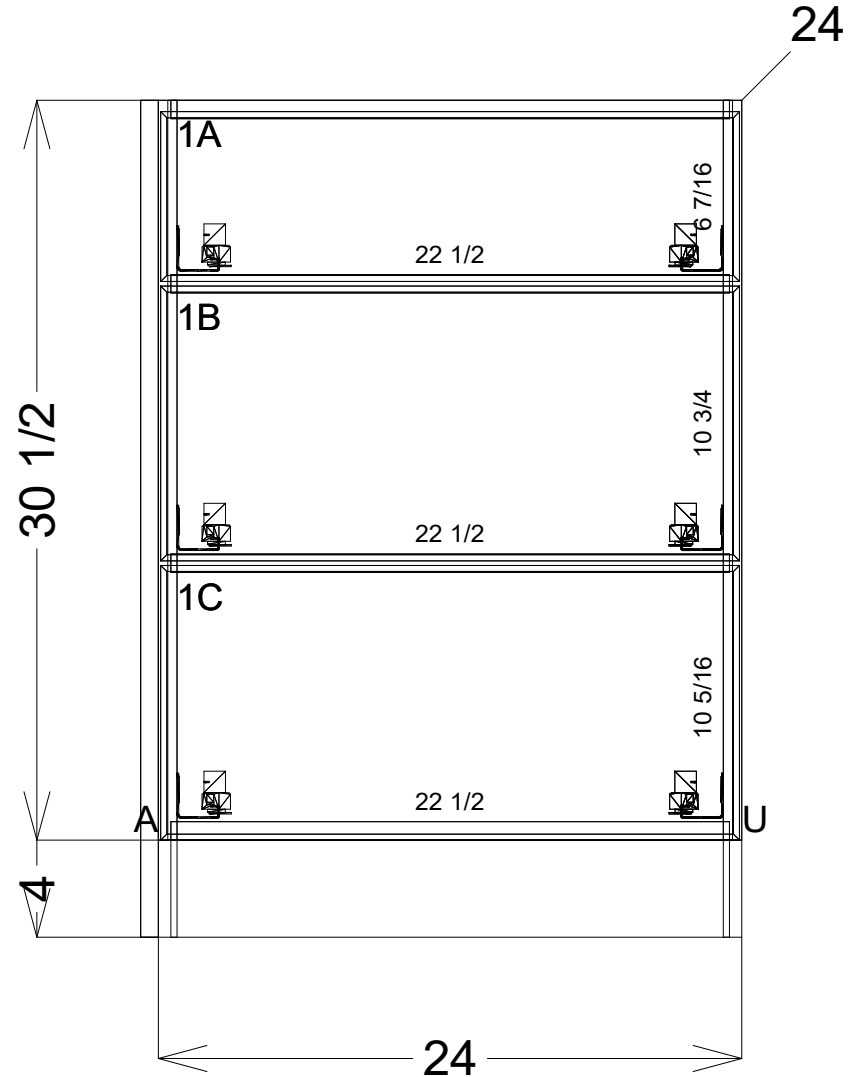
1	24	34 1/2	Left Sub End	3/4 2s Melamine
1	24 7/8	34 1/2	Finished Left End	3/4 2s Oak Ply
1	24	34 1/2	Unfinished Right End	3/4 2s Melamine
1	23 1/4	30 1/2	Unfinished Back	1/2 2s Melamine
1	23 1/2	23	Top	3/4 2s Melamine
1	23 1/2	23	Deck	3/4 2s Melamine
1	4	23	Front Toe	3/4 2s Melamine
2	4	23	Drawer Stretcher	3/4 2s Melamine
3	21 1/8	20 5/16	Drawer Box Bottom	1/2 2s Melamine
2	5 1/4	21	Drawer Box Side	5/8 Baltic Birch
1	5 1/4	22 1/16	Drawer Box Back	5/8 Baltic Birch
1	5 1/4	22 1/16	Drawer Box Sub Front	5/8 Baltic Birch
2	9 9/16	21	Drawer Box Side	5/8 Baltic Birch
1	9 9/16	22 1/16	Drawer Box Back	5/8 Baltic Birch
1	9 9/16	22 1/16	Drawer Box Sub Front	5/8 Baltic Birch
2	9 1/8	21	Drawer Box Side	5/8 Baltic Birch
1	9 1/8	22 1/16	Drawer Box Back	5/8 Baltic Birch
1	9 1/8	22 1/16	Drawer Box Sub Front	5/8 Baltic Birch

Hardware

3 P	1	21 1/2	Drawer Guide	RC 21
-----	---	--------	--------------	-------

Assembly #45 - DS3

24 x 34 1/2 x 24 (1)



Assembly #45 - DS3

Scott BD

L. Stile = 0	L. Scribe = 0	R. Stile = 0	R. Scribe = 0
T. Scribe = 0	B. Scribe = 0		
Toe Height = 4	Toe Recess = 3		
Left End = Applied FE	Right End = Unfinished	Back = Unfinished	

Dave Pace

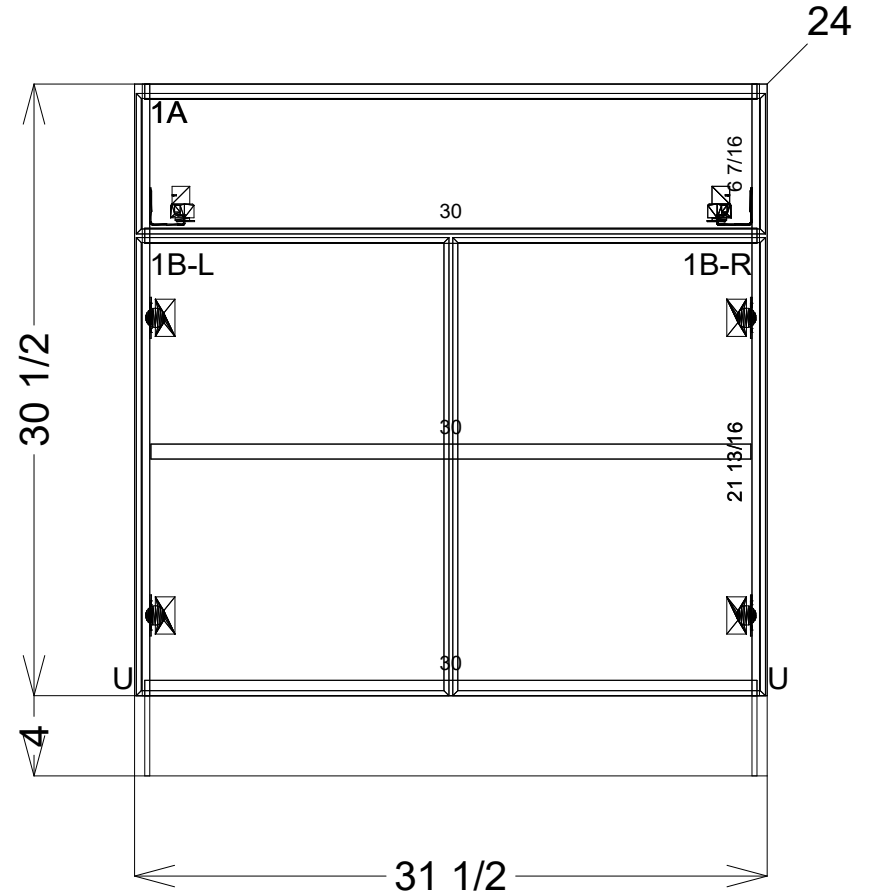
Default

Room #4 (Basement Bar) - Wall #2

Date: 06/17/26

Assembly #46 - BD1
31 1/2 x 34 1/2 x 24 (1)

Doors				
2	15 9/16	22 7/8	Slab	Oak 1/2"
Drawer Fronts				
1	31 5/16	7	Slab	Oak 1/2"
Panel Stock				
1	24	34 1/2	Unfinished Left End	3/4 2s Melamine
1	24	34 1/2	Unfinished Right End	3/4 2s Melamine
1	30 3/4	30 1/2	Unfinished Back	1/2 2s Melamine
1	23 1/2	30 1/2	Top	3/4 2s Melamine
1	23 1/2	30 1/2	Deck	3/4 2s Melamine
1	4	30 1/2	Front Toe	3/4 2s Melamine
1	4	30 1/2	Drawer Stretcher	3/4 2s Melamine
1	23 3/8	29 7/8	Adjustable Shelf	3/4 2s Melamine ADJ
1	28 5/8	20 5/16	Drawer Box Bottom	1/2 2s Melamine
2	5 1/4	21	Drawer Box Side	5/8 Baltic Birch
1	5 1/4	29 9/16	Drawer Box Back	5/8 Baltic Birch
1	5 1/4	29 9/16	Drawer Box Sub Front	5/8 Baltic Birch
Hardware				
1 P	1	21 1/2	Drawer Guide	RC 21
4	1 7/16	1 7/8	Hinge	RC 120 Euro
4	2 1/8	2 1/16	Hinge Plate	Hinge Plate



Assembly #46 - BD1

Scott BD

L. Stile = 0 L. Scribe = 0 R. Stile = 0 R. Scribe = 0
 T. Scribe = 0 B. Scribe = 0
 Toe Height = 4 Toe Recess = 3
 Left End = Unfinished Right End = Unfinished Back = Unfinished

Dave Pace

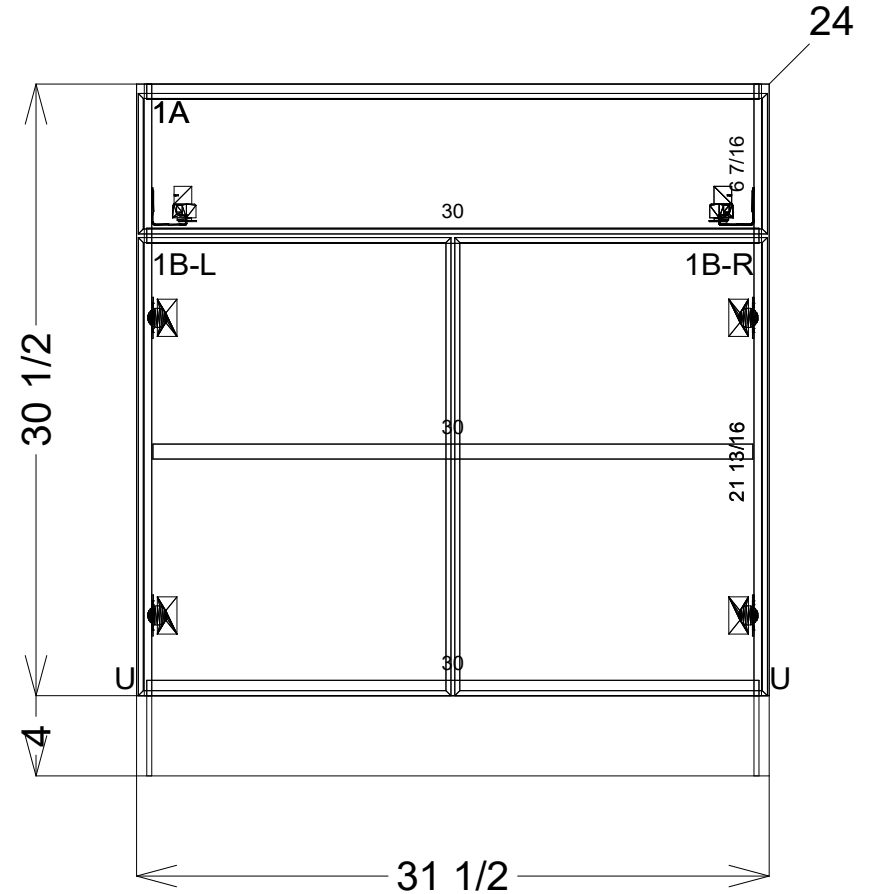
Default

Room #4 (Basement Bar) - Wall #2

Date: 06/17/26

Assembly #47 - BD1
31 1/2 x 34 1/2 x 24 (1)

Doors				
2	15 9/16	22 7/8	Slab	Oak 1/2"
Drawer Fronts				
1	31 5/16	7	Slab	Oak 1/2"
Panel Stock				
1	24	34 1/2	Unfinished Left End	3/4 2s Melamine
1	24	34 1/2	Unfinished Right End	3/4 2s Melamine
1	30 3/4	30 1/2	Unfinished Back	1/2 2s Melamine
1	23 1/2	30 1/2	Top	3/4 2s Melamine
1	23 1/2	30 1/2	Deck	3/4 2s Melamine
1	4	30 1/2	Front Toe	3/4 2s Melamine
1	4	30 1/2	Drawer Stretcher	3/4 2s Melamine
1	23 3/8	29 7/8	Adjustable Shelf	3/4 2s Melamine ADJ
1	28 5/8	20 5/16	Drawer Box Bottom	1/2 2s Melamine
2	5 1/4	21	Drawer Box Side	5/8 Baltic Birch
1	5 1/4	29 9/16	Drawer Box Back	5/8 Baltic Birch
1	5 1/4	29 9/16	Drawer Box Sub Front	5/8 Baltic Birch
Hardware				
1 P	1	21 1/2	Drawer Guide	RC 21
4	1 7/16	1 7/8	Hinge	RC 120 Euro
4	2 1/8	2 1/16	Hinge Plate	Hinge Plate



Assembly #47 - BD1

Scott BD

L. Stile = 0 L. Scribe = 0 R. Stile = 0 R. Scribe = 0
 T. Scribe = 0 B. Scribe = 0
 Toe Height = 4 Toe Recess = 3
 Left End = Unfinished Right End = Unfinished Back = Unfinished

Dave Pace

Default

Room #4 (Basement Bar) - Wall #2

Date: 06/17/26

Assembly #48 - DS3
24 x 34 1/2 x 24 (1)

Drawer Fronts

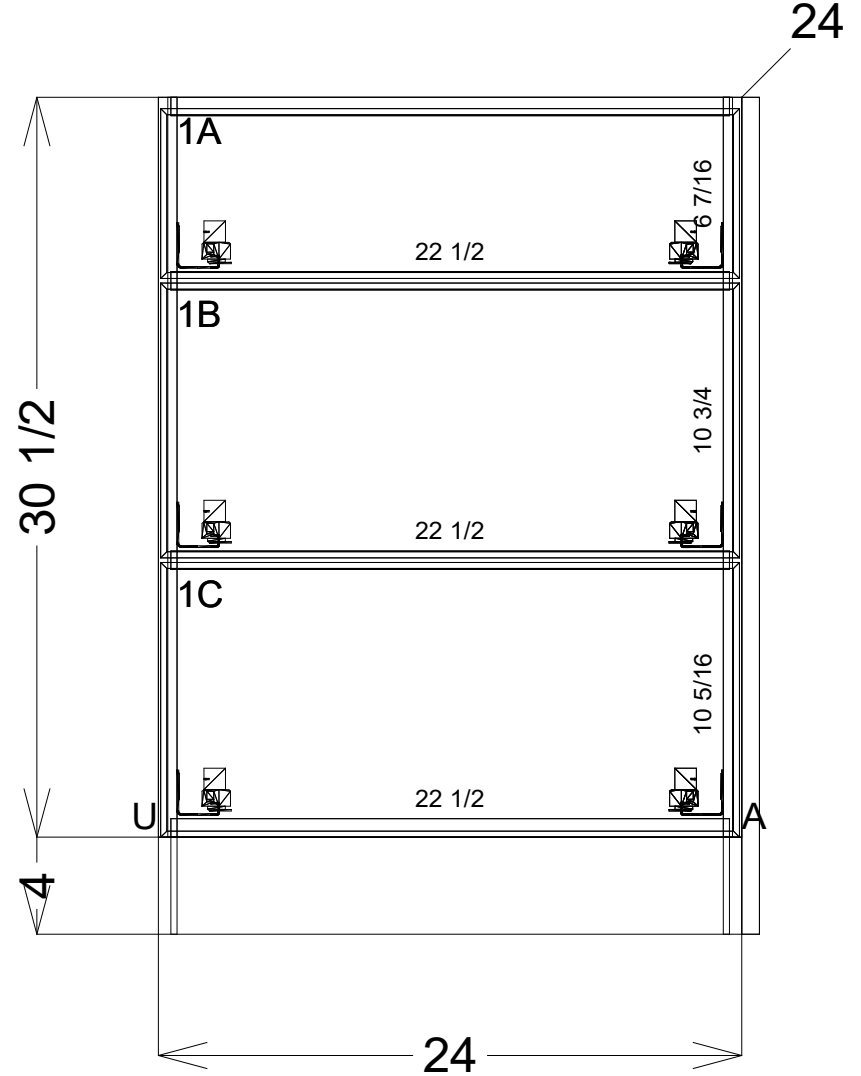
1	23 13/16	7	Slab	Oak 1/2"
2	23 13/16	11 5/16	Slab	Oak 1/2"

Panel Stock

1	24	34 1/2	Unfinished Left End	3/4 2s Melamine
1	24	34 1/2	Right Sub End	3/4 2s Melamine
1	24 7/8	34 1/2	Finished Right End	3/4 2s Oak Ply
1	23 1/4	30 1/2	Unfinished Back	1/2 2s Melamine
1	23 1/2	23	Top	3/4 2s Melamine
1	23 1/2	23	Deck	3/4 2s Melamine
1	4	23	Front Toe	3/4 2s Melamine
2	4	23	Drawer Stretcher	3/4 2s Melamine
3	21 1/8	20 5/16	Drawer Box Bottom	1/2 2s Melamine
2	5 1/4	21	Drawer Box Side	5/8 Baltic Birch
1	5 1/4	22 1/16	Drawer Box Back	5/8 Baltic Birch
1	5 1/4	22 1/16	Drawer Box Sub Front	5/8 Baltic Birch
2	9 9/16	21	Drawer Box Side	5/8 Baltic Birch
1	9 9/16	22 1/16	Drawer Box Back	5/8 Baltic Birch
1	9 9/16	22 1/16	Drawer Box Sub Front	5/8 Baltic Birch
2	9 1/8	21	Drawer Box Side	5/8 Baltic Birch
1	9 1/8	22 1/16	Drawer Box Back	5/8 Baltic Birch
1	9 1/8	22 1/16	Drawer Box Sub Front	5/8 Baltic Birch

Hardware

3 P	1	21 1/2	Drawer Guide	RC 21
-----	---	--------	--------------	-------



Assembly #48 - DS3

Scott BD

L. Stile = 0	L. Scribe = 0	R. Stile = 0	R. Scribe = 0
T. Scribe = 0	B. Scribe = 0		
Toe Height = 4	Toe Recess = 3		
Left End = Unfinished	Right End = Applied FE	Back = Unfinished	

Dave Pace

Default

Room #4 (Basement Bar) - Wall #2

Date: 06/17/26

Drawer Fronts

1	17 13/16	7	Slab	Oak 1/2"
2	17 13/16	11 5/16	Slab	Oak 1/2"

Panel Stock

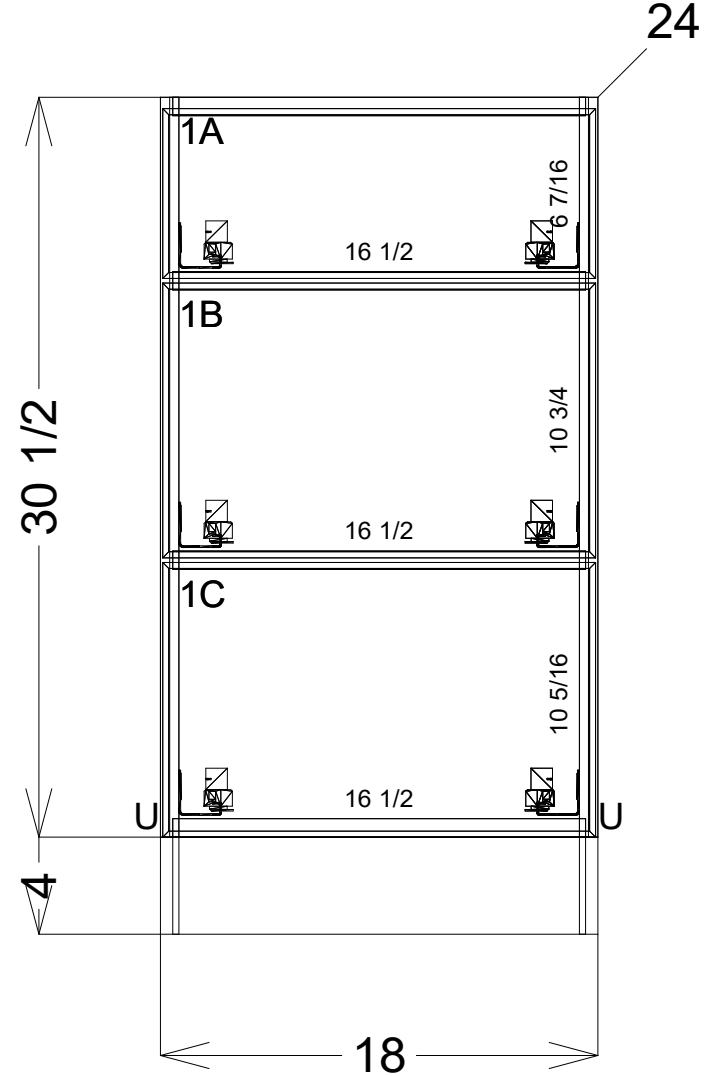
1	24	34 1/2	Unfinished Left End	3/4 2s Melamine
1	24	34 1/2	Unfinished Right End	3/4 2s Melamine
1	17 1/4	30 1/2	Unfinished Back	1/2 2s Melamine
1	23 1/2	17	Top	3/4 2s Melamine
1	23 1/2	17	Deck	3/4 2s Melamine
1	4	17	Front Toe	3/4 2s Melamine
2	4	17	Drawer Stretcher	3/4 2s Melamine
3	15 1/8	20 5/16	Drawer Box Bottom	1/2 2s Melamine
2	5 1/4	21	Drawer Box Side	5/8 Baltic Birch
1	5 1/4	16 1/16	Drawer Box Back	5/8 Baltic Birch
1	5 1/4	16 1/16	Drawer Box Sub Front	5/8 Baltic Birch
2	9 9/16	21	Drawer Box Side	5/8 Baltic Birch
1	9 9/16	16 1/16	Drawer Box Back	5/8 Baltic Birch
1	9 9/16	16 1/16	Drawer Box Sub Front	5/8 Baltic Birch
2	9 1/8	21	Drawer Box Side	5/8 Baltic Birch
1	9 1/8	16 1/16	Drawer Box Back	5/8 Baltic Birch
1	9 1/8	16 1/16	Drawer Box Sub Front	5/8 Baltic Birch

Hardware

3 P	1	21 1/2	Drawer Guide	RC 21
-----	---	--------	--------------	-------

Assembly #49 - DS3

18 x 34 1/2 x 24 (1)



Assembly #49 - DS3

Scott BD

L. Stile = 0	L. Scribe = 0	R. Stile = 0	R. Scribe = 0
T. Scribe = 0	B. Scribe = 0		
Toe Height = 4	Toe Recess = 3		
Left End = Unfinished	Right End = Unfinished	Back = Unfinished	

Dave Pace

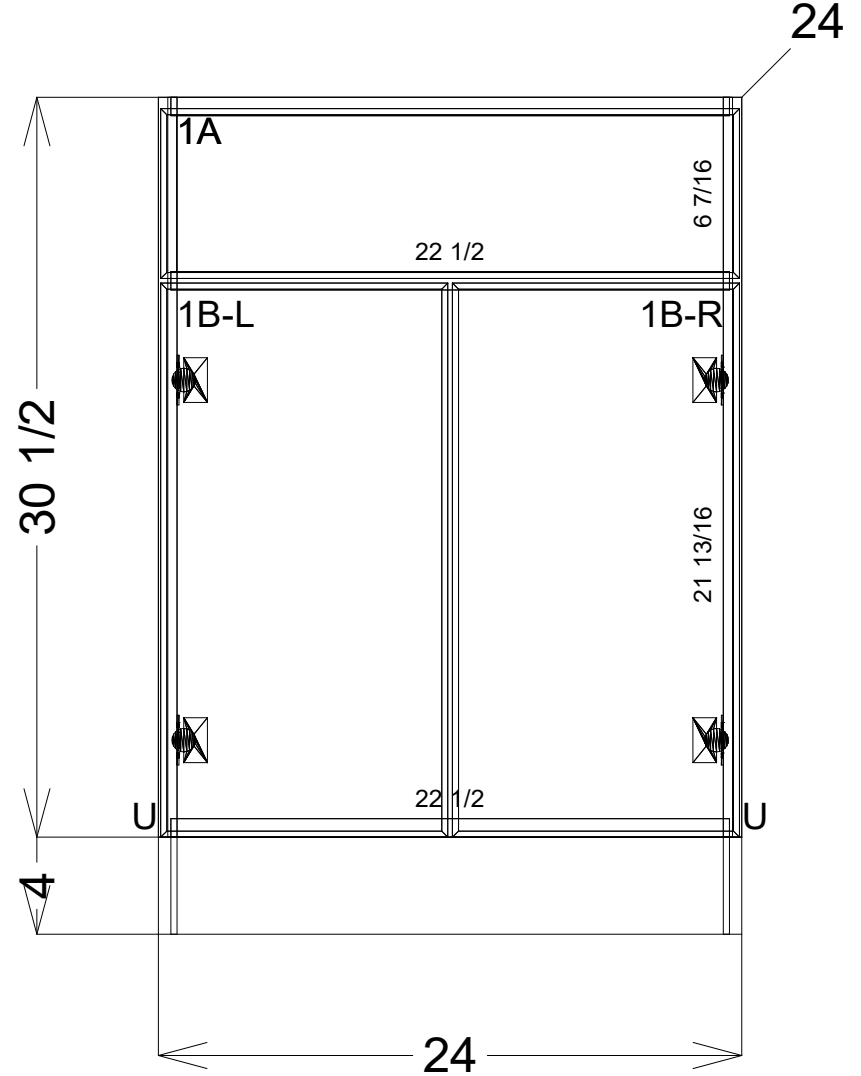
Default

Room #4 (Basement Bar) - Wall #4

Date: 06/17/26

Doors				
2	11 13/16	22 7/8	Slab	Oak 1/2"
Drawer Fronts				
1	23 13/16	7	Slab	Oak 1/2"
Panel Stock				
1	24	34 1/2	Unfinished Left End	3/4 2s Melamine
1	24	34 1/2	Unfinished Right End	3/4 2s Melamine
1	23 1/4	30 1/2	Unfinished Back	1/2 2s Melamine
1	23 1/2	23	Deck	3/4 2s Melamine
1	4	23	Front Toe	3/4 2s Melamine
1	22 1/2	6 7/16	FF Backup	3/4 2s Melamine
2	4	23	Drawer Stretcher	3/4 2s Melamine
Hardware				
4	1 7/16	1 7/8	Hinge	RC 120 Euro
4	2 1/8	2 1/16	Hinge Plate	Hinge Plate

Assembly #50 - Sink
24 x 34 1/2 x 24 (1)



Assembly #50 - Sink

Scott BD

L. Stile = 0	L. Scribe = 0	R. Stile = 0	R. Scribe = 0
T. Scribe = 0	B. Scribe = 0		
Toe Height = 4	Toe Recess = 3		
Left End = Unfinished	Right End = Unfinished	Back = Unfinished	

Dave Pace

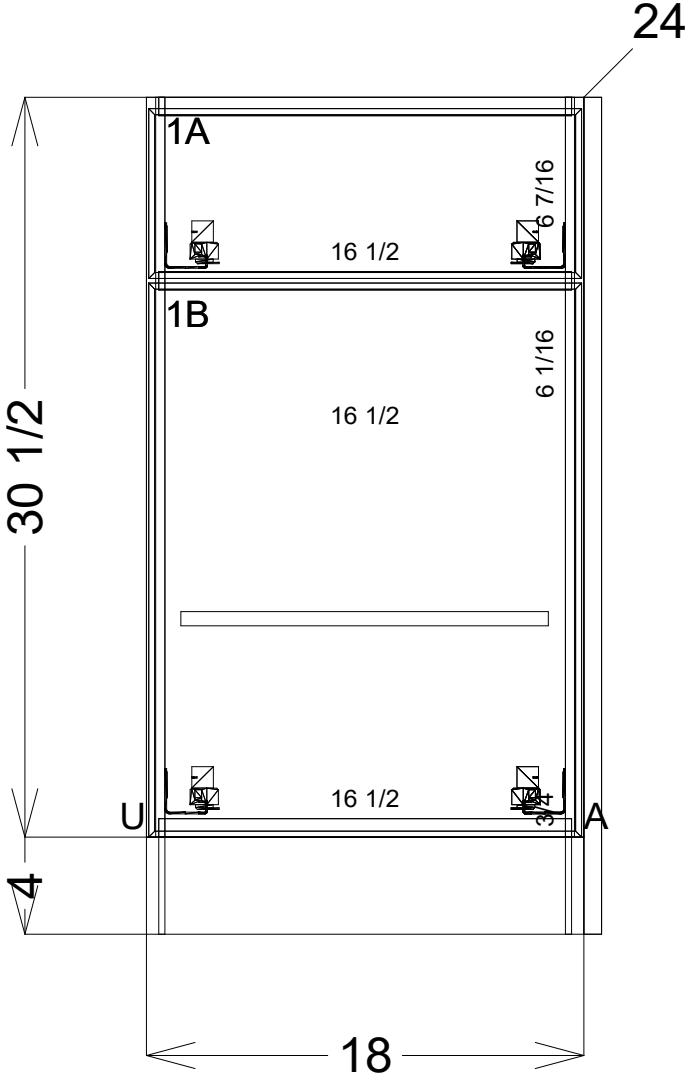
Default

Room #4 (Basement Bar) - Wall #4

Date: 06/17/26

Assembly #51 - BD Single Trash
 18 x 34 1/2 x 24 (1)

Doors				
1	17 13/16	22 7/8	Slab	Oak 1/2"
Drawer Fronts				
1	17 13/16	7	Slab	Oak 1/2"
Panel Stock				
1	24	34 1/2	Unfinished Left End	3/4 2s Melamine
1	24	34 1/2	Right Sub End	3/4 2s Melamine
1	24 7/8	34 1/2	Finished Right End	3/4 2s Oak Ply
1	17 1/4	30 1/2	Unfinished Back	1/2 2s Melamine
1	23 1/2	17	Top	3/4 2s Melamine
1	23 1/2	17	Deck	3/4 2s Melamine
1	4	17	Front Toe	3/4 2s Melamine
1	15 1/8	20 5/16	Roll Out top	5/8 Baltic Birch
1	15 1/8	20 5/16	Roll Out Bottom	5/8 Baltic Birch
2	15	21	Roll Out Side	5/8 Baltic Birch
1	9	16 1/16	Roll Out Back	5/8 Baltic Birch
1	20 1/2	16 1/16	Roll Out Front	5/8 Baltic Birch
1	4	17	Drawer Stretcher	3/4 2s Melamine
1	15 1/8	20 5/16	Drawer Box Bottom	1/2 2s Melamine
2	5 1/4	21	Drawer Box Side	5/8 Baltic Birch
1	5 1/4	16 1/16	Drawer Box Back	5/8 Baltic Birch
1	5 1/4	16 1/16	Drawer Box Sub Front	5/8 Baltic Birch
Hardware				
1 P	1	21 1/2	Roll Out Guide	RC 21 Rollout
1 P	1	21 1/2	Drawer Guide	RC 21



Assembly #51 - BD Single Trash

Scott BD

L. Stile = 0	L. Scribe = 0	R. Stile = 0	R. Scribe = 0
T. Scribe = 0	B. Scribe = 0		
Toe Height = 4	Toe Recess = 3		
Left End = Unfinished	Right End = Applied FE	Back = Unfinished	

Dave Pace

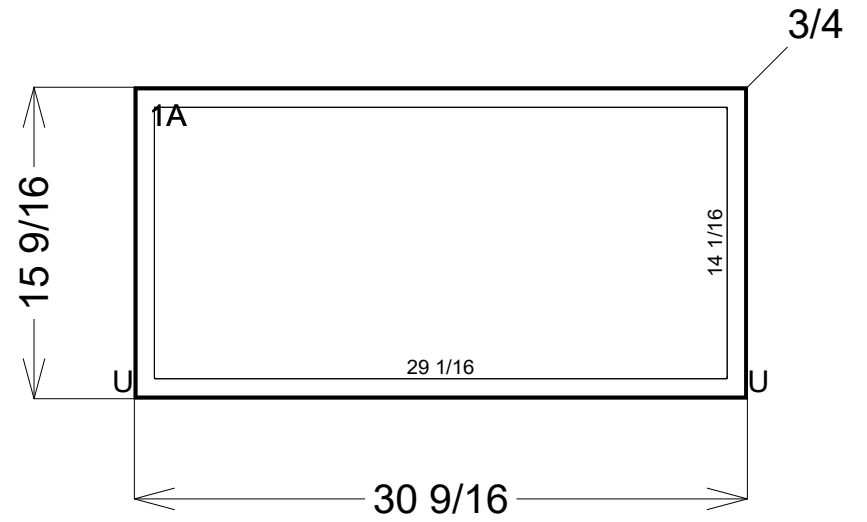
Default

Room #4 (Basement Bar) - Wall #4

Date: 06/17/26

Doors				
2	30 9/16	15 9/16	1" Shaker	MDF
Panel Stock				
2	28 9/16	13 9/16	inset	1/4 MDF inset

Assembly #52 - 1" shaker
 30 9/16 x 15 9/16 x 3/4 (2)



Assembly #52 - 1" shaker
 Scott BD

L. Stile = 0	L. Scribe = 0	R. Stile = 0	R. Scribe = 0
T. Scribe = 0	B. Scribe = 0		
Toe Height = 0	Toe Recess = 0		
Left End = Unfinished	Right End = Unfinished	Back = Unfinished	

Dave Pace
 Default

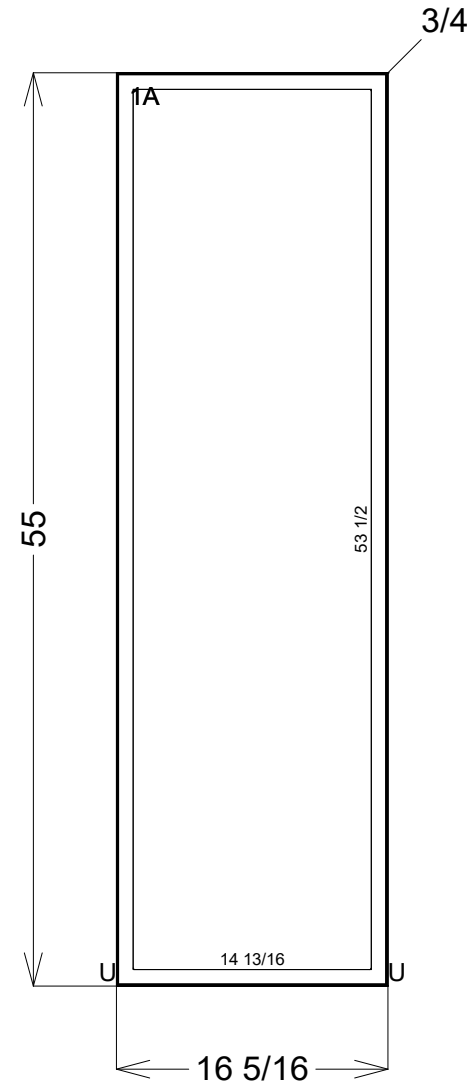
Room #5 (mudroom doors) - Wall #

Date: 06/17/26

Doors
 4 16 5/16 55 1" Shaker MDF

Panel Stock
 4 14 5/16 53 inset 1/4 MDF inset

Assembly #53 - 1" shaker
 16 5/16 x 55 x 3/4 (4)



Assembly #53 - 1" shaker

Scott BD

L. Stile = 0 L. Scribe = 0 R. Stile = 0 R. Scribe = 0
 T. Scribe = 0 B. Scribe = 0
 Toe Height = 0 Toe Recess = 0
 Left End = Unfinished Right End = Unfinished Back = Unfinished

Dave Pace

Default

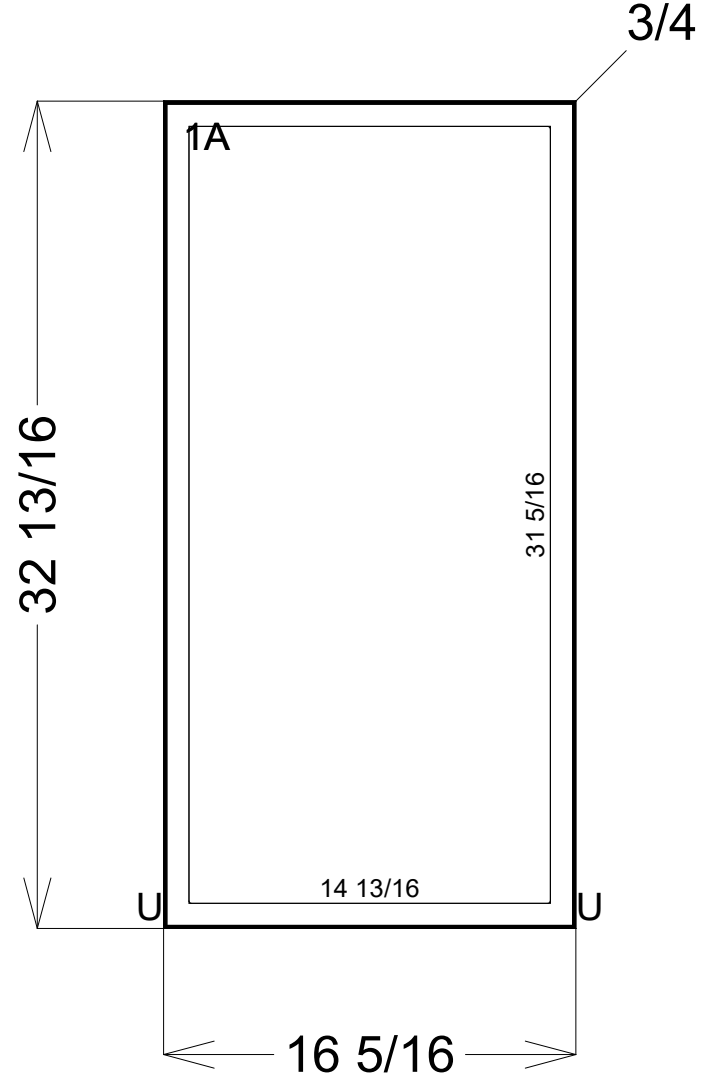
Room #5 (mudroom doors) - Wall #

Date: 06/17/26

Doors
 4 16 5/16 32 13/16 1" Shaker MDF

Panel Stock
 4 14 5/16 30 13/16 inset 1/4 MDF inset

Assembly #54 - 1" shaker
 16 5/16 x 32 13/16 x 3/4 (4)



Assembly #54 - 1" shaker

Scott BD

L. Stile = 0 L. Scribe = 0 R. Stile = 0 R. Scribe = 0
 T. Scribe = 0 B. Scribe = 0
 Toe Height = 0 Toe Recess = 0
 Left End = Unfinished Right End = Unfinished Back = Unfinished

Dave Pace

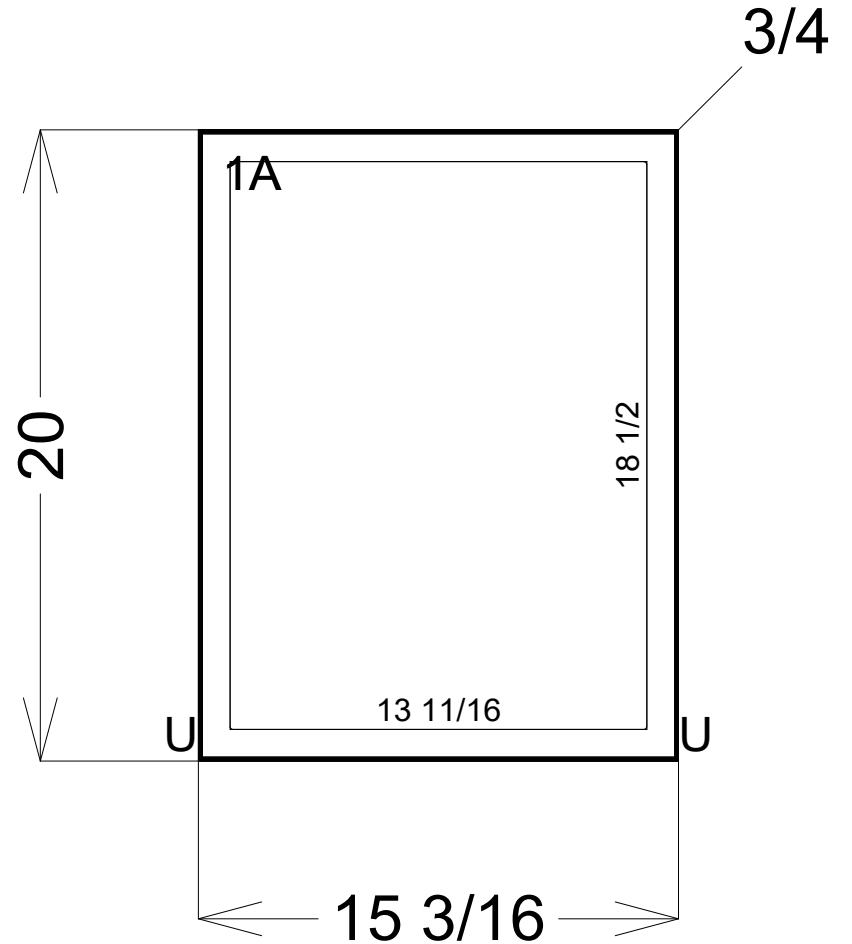
Default

Room #5 (mudroom doors) - Wall #

Date: 06/17/26

Doors					
4	15 3/16	20	1" Shaker	MDF	
Panel Stock					
4	13 3/16	18	inset	1/4" MDF inset	

Assembly #55 - 1" shaker
15 3/16 x 20 x 3/4 (4)



Assembly #55 - 1" shaker

Scott BD

L. Stile = 0	L. Scribe = 0	R. Stile = 0	R. Scribe = 0
T. Scribe = 0	B. Scribe = 0		
Toe Height = 0	Toe Recess = 0		
Left End = Unfinished	Right End = Unfinished	Back = Unfinished	

Dave Pace

Default

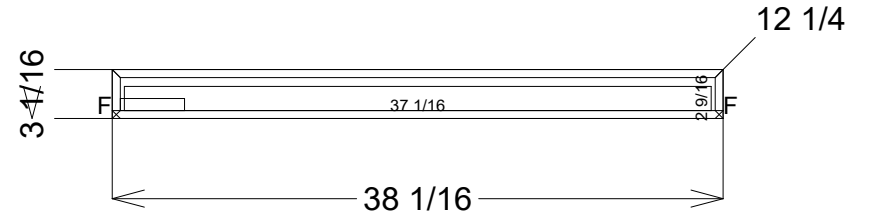
Room #5 (mudroom doors) - Wall #

Date: 06/17/26

Panel Stock

2	12 1/4	3 1/16	side	1/2 MDF
1	38 1/16	3 1/16	front	1/2 MDF
1	12 1/4	38 1/16	bottom	1/2 MDF
1	12 1/4	38 1/16	Top	1/2 MDF
1	1 1/2	36 9/16	nailer	3/4 MDF
1	4	10 1/4	support	3/4 MDF

Assembly #56 - FS 1/2 oak
 38 1/16 x 3 1/16 x 12 1/4 (1)



Assembly #56 - FS 1/2 oak

Cube

L. Stile = 0	L. Scribe = 0	R. Stile = 0	R. Scribe = 0
T. Scribe = 0	B. Scribe = 0		
Toe Height = 0	Toe Recess = 0		
Left End = Finished	Right End = Finished	Back = Unfinished	

Dave Pace

Default

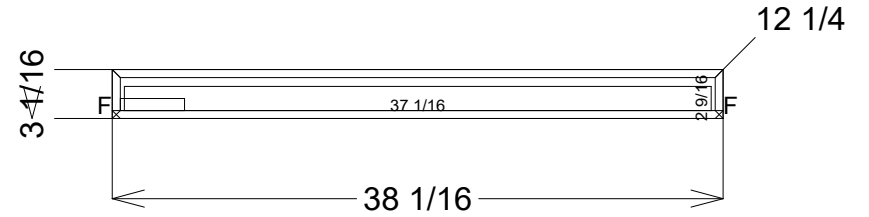
Room #6 (floating shelves) - Wall #1

Date: 06/17/26

Panel Stock

2	12 1/4	3 1/16	side	1/2 MDF
1	38 1/16	3 1/16	front	1/2 MDF
1	12 1/4	38 1/16	bottom	1/2 MDF
1	12 1/4	38 1/16	Top	1/2 MDF
1	1 1/2	36 9/16	nailer	3/4 MDF
1	4	10 1/4	support	3/4 MDF

Assembly #57 - FS 1/2 oak
 38 1/16 x 3 1/16 x 12 1/4 (1)



Assembly #57 - FS 1/2 oak

Cube

L. Stile = 0	L. Scribe = 0	R. Stile = 0	R. Scribe = 0
T. Scribe = 0	B. Scribe = 0		
Toe Height = 0	Toe Recess = 0		
Left End = Finished	Right End = Finished	Back = Unfinished	

Dave Pace

Default

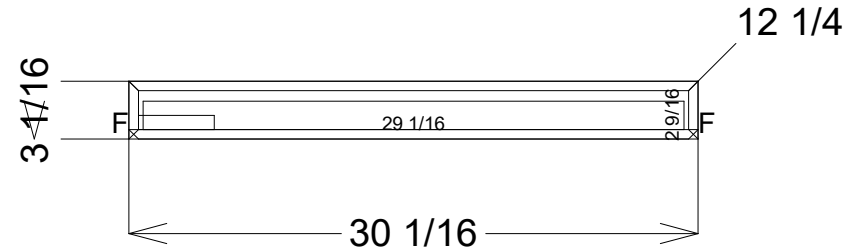
Room #6 (floating shelves) - Wall #1

Date: 06/17/26

Panel Stock

2	12 1/4	3 1/16	side	1/2 MDF
1	30 1/16	3 1/16	front	1/2 MDF
1	12 1/4	30 1/16	bottom	1/2 MDF
1	12 1/4	30 1/16	Top	1/2 MDF
1	1 1/2	28 9/16	nailer	3/4 MDF
1	4	10 1/4	support	3/4 MDF

Assembly #58 - FS 1/2 oak
 30 1/16 x 3 1/16 x 12 1/4 (1)



Assembly #58 - FS 1/2 oak

Cube

L. Stile = 0	L. Scribe = 0	R. Stile = 0	R. Scribe = 0
T. Scribe = 0	B. Scribe = 0		
Toe Height = 0	Toe Recess = 0		
Left End = Finished	Right End = Finished	Back = Unfinished	

Dave Pace

Default

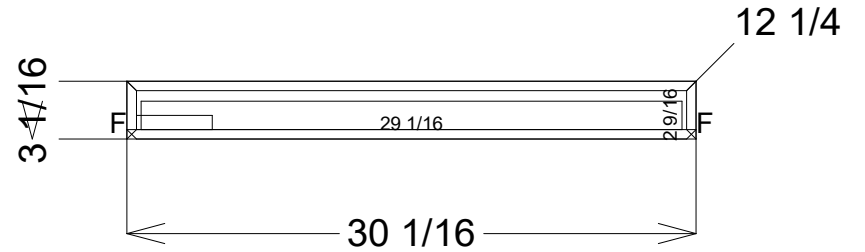
Room #6 (floating shelves) - Wall #1

Date: 06/17/26

Panel Stock

2	12 1/4	3 1/16	side	1/2 MDF
1	30 1/16	3 1/16	front	1/2 MDF
1	12 1/4	30 1/16	bottom	1/2 MDF
1	12 1/4	30 1/16	Top	1/2 MDF
1	1 1/2	28 9/16	nailer	3/4 MDF
1	4	10 1/4	support	3/4 MDF

Assembly #59 - FS 1/2 oak
 30 1/16 x 3 1/16 x 12 1/4 (1)



Assembly #59 - FS 1/2 oak

Cube

L. Stile = 0	L. Scribe = 0	R. Stile = 0	R. Scribe = 0
T. Scribe = 0	B. Scribe = 0		
Toe Height = 0	Toe Recess = 0		
Left End = Finished	Right End = Finished	Back = Unfinished	

Dave Pace

Default

Room #6 (floating shelves) - Wall #1

Date: 06/17/26